

Short Form Specification

Touch Unit TU-SCM15R01-USB

July 2014

Preliminary

The information given in this document is carefully checked and believed to be reliable. However, Beck GmbH & Co. Elektronik Bauelemente KG takes no responsibility for any failure or product damage caused by application of this information. Please check all connections carefully with the product specification.

Products of Beck Elektronik are not intended for use in systems in which failures of product could result in personal injury. All mentioned trademarks are registered trademarks of their owner.

This specification is subject to change without notification.

1. General Features

Item	Description	Unit
Touch type	Resestiv 5W	
For diagonal display	38.1 (15")	cm
Diagonal touch (active area)	38.4 (15.1")	cm
Active area	307.1 (H) x 231.1 (V)	mm
ITO-foil (front side)	ITO-foil, 0.188 Non-reflecting coating Surface hardness >3 Surface resistivity 300-600	mm H Ω
ITO-coated glass (back side)	ITO-glass, 2.8	mm
Transparency	>80	%
Haze	<13	%
Linearity center	<1.0	%
Linearity 10mm from the edge of the active area	<1.5	%
Life time	min 36,000,000	activated times with testfinger
Dimension	364.9 x 281.1 x 34.4	mm
Weight	1,150	gram
VPE	5	
Remark		

Figure 1: Assembling Instruction Drawing SCM15

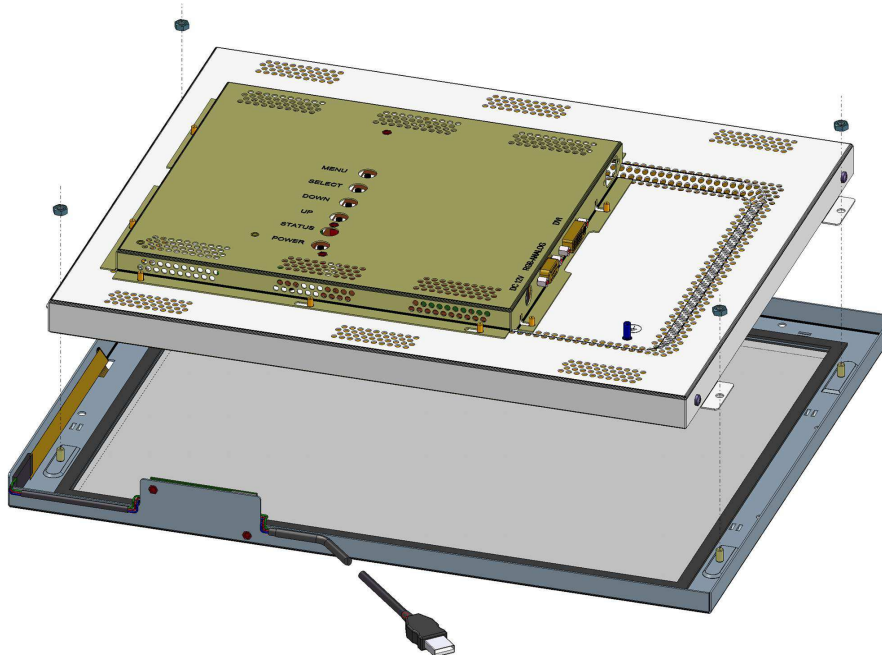


Figure 2: Assembling Instruction Drawing BCM15

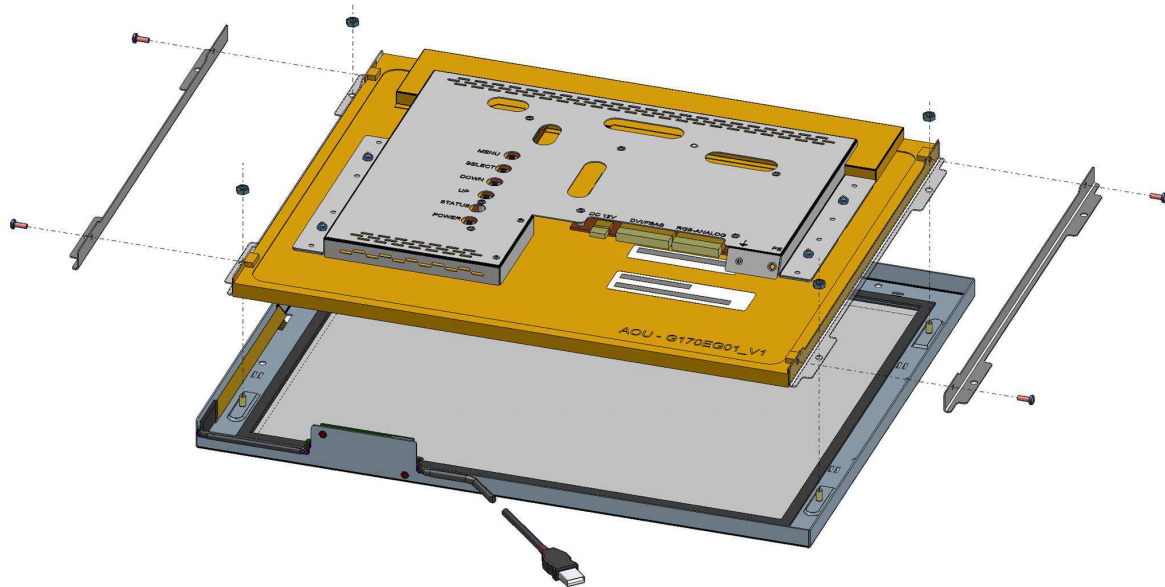


Figure 3: Assembling Instruction Drawing 15" TFT

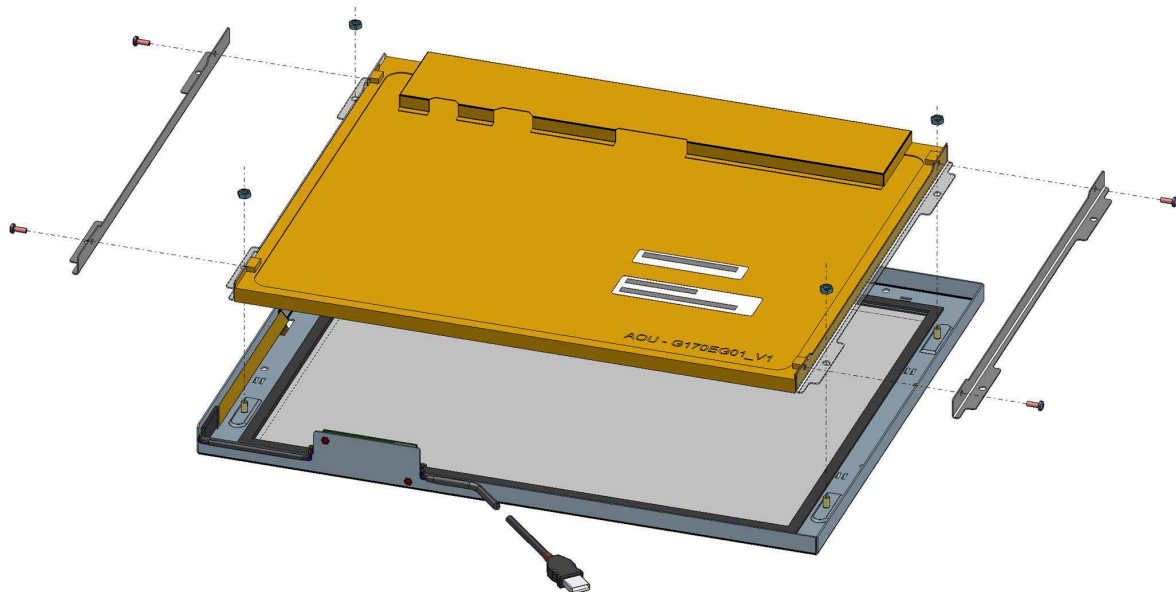
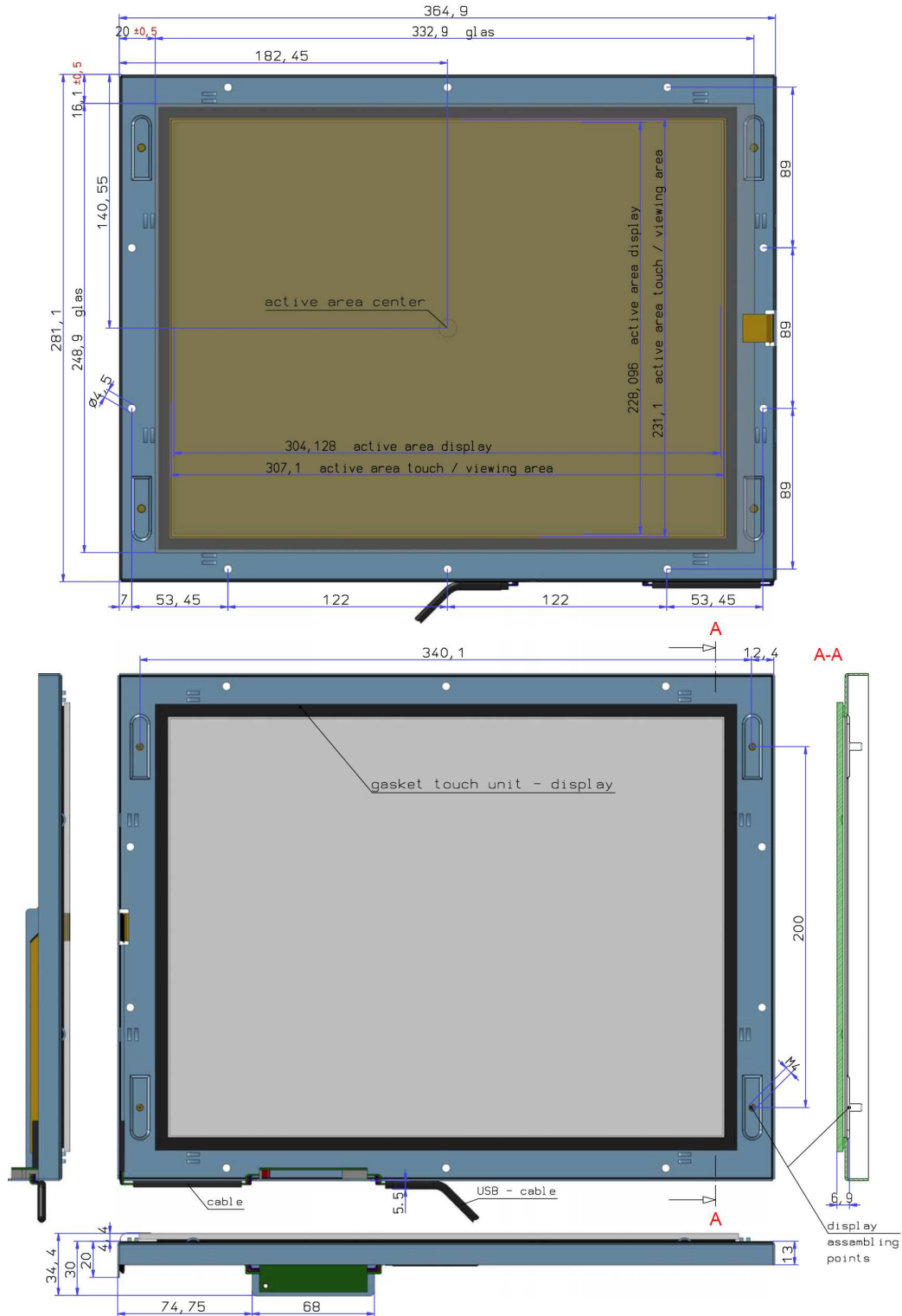


Figure 4: Mechanical Outlines



2. Handling & Cautions

Cautions when taking out the unit

- Pick the pouch only, when taking out unit from a shipping package.

Cautions for handling the unit

- As the electrostatic discharges may break the Touch Unit, handle the Touch Unit with care. Peel a protection sheet off from the Touch Unit surface as slowly as possible.
- As the Touch Unit are made from fragile glass material, impulse and pressure to the Touch Unit should be avoided.
- Handle connectors and cables with care.

Cautions for the atmosphere

- Dewdrop atmosphere should be avoided.
- Do not store and/or operate the Touch Unit in a high temperature and/or humidity atmosphere. Storage in an electro-conductive polymer-packing pouch and under relatively low temperature atmosphere is recommended.

Other cautions

- Do not re-adjust variable resistor or switch etc.
- When returning the unit for repair or etc., please pack the module not to be broken. We recommend on using the original shipping packages.

3. Packing Information

Each of the five TU-SCM15R01-USB is packed into an anti-static foil. These five units of TU-SCM15R01-USB are packed into a carton filled and cushioned with shock absorbing carton and therefore good protected for shipping on euro pallet.

4. Optional Displays

We refer to our webpage:

<http://beck-oled-lcd-tft-display.de/index.php?id=bcm-compact-line>
<http://beck-oled-lcd-tft-display.de/index.php?id=bcm-standard-line>
<http://beck-oled-lcd-tft-display.de/index.php?id=tft-display-search>

We offer a wide variety of optional Displays to operate the TU-SCM15R01-USB.

5. Touchdriver download (PM6500)

http://www.penmount.com.tw/down_2_1.php