

FOR :

PRELIMINARY SPECIFICATION

(FOR LCD MNT 10~15" 1 LAMP APPLICATION)

TFT LCD BACKLIGHTING INVERTER

PART NO. : FIF1011-01A

BUYER'S PART NO.:

CONTENTS

- 1. Electrical Characteristics**
- 2. Functional Pin Description**
- 3. Mechanical Drawings**

1. Electrical Characteristics

No.	Items (Unit)	Sign.	Condition		Min.	Typ.	Max.
1	Input Voltage (Vdc)	Vin			11.0	12	13.0
2	Input Current (A)	Iin	Vin=12V	CTRL=5V	0.15	0.26	0.35
				CTRL=0V	0.36	0.46	0.52
3	Output Current	Iout	Vin=12V	CTRL=5V	1.5	2.0	2.7
				CTRL=0V	6.0	6.5	7.0
4	Lamp Frequency (kHz)	f	Vin=12V	CTRL=5V	50	60	70
5	ON/OFF Control	ON	Vin=12V, ON/OFF=5V		Normal Operation		
		OFF	Vin=12V, ON/OFF=0V		Shunt-down (Lamp off)		
6	Dim Adjust (Lamp Current Control)	CTRL	CTRL=0V, Max Current		0 ~ 5 Volt.		
			CTRL=5V, Min Current				
7	Kick-Off Voltage(Vrms)	Vk-off	Kick-Off		1100	-	1800
8							

2. Functional Pin Description

2.1. Input Connector CN1: 12505WR-05 (YEON-HO)

Pin No.	Symbol	Description
1	Vin	Input Voltage : 12V \pm 10%
2	ON / OFF	Power System Return
3	CTRL	Dim Adjust, Apply 0V ~5Vdc to Control Lamp Current 0V : 6.0mA, 5V : 1.5mA
4	GND	GND
5	GND	GND

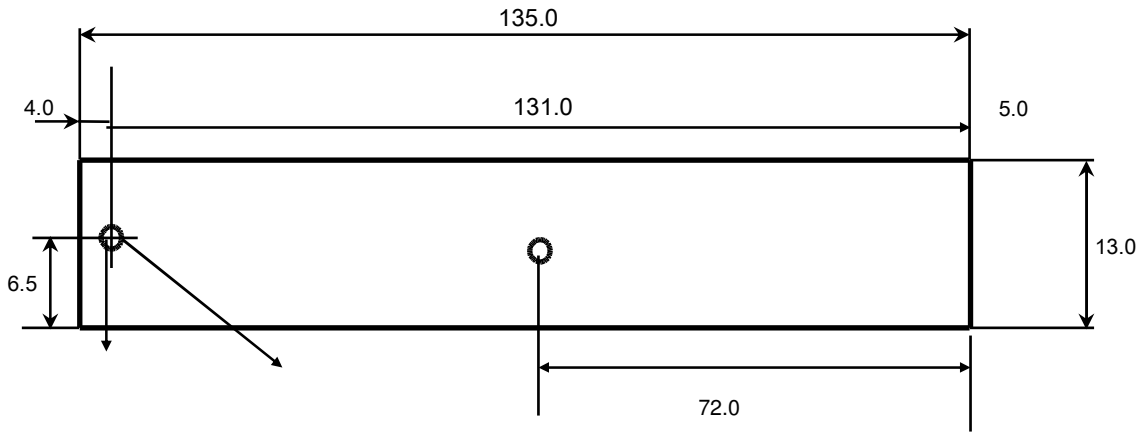
2.2. Output Connector CN2 : 35001WR - 02A00 (JST, YEON-HO, MOLEX)

Pin No.	Symbol	Description
1	Lamp H1	High Voltage connection to high side of lamp.
2	Lamp L1	Low Voltage connection to low side of lamp.

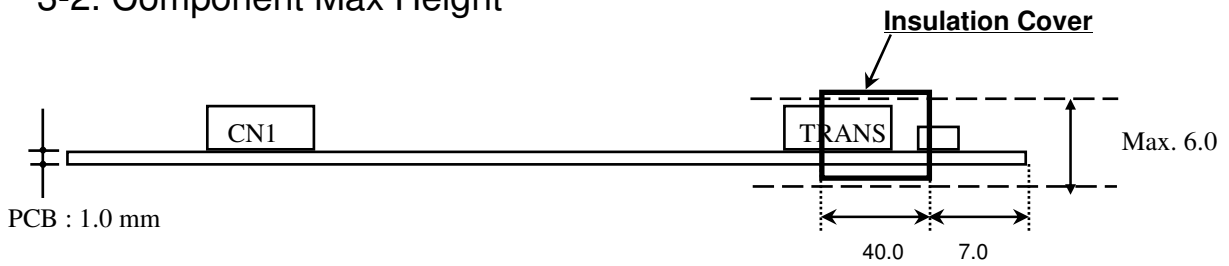
3. Mechanical Drawings

3-1. P.W.B

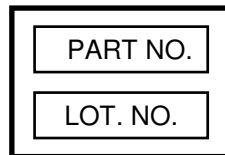
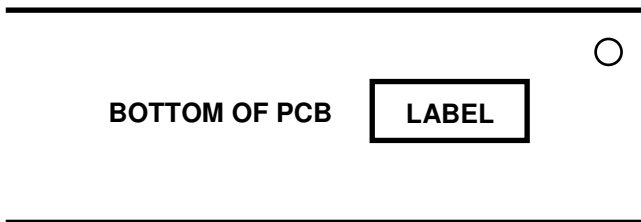
*. Unit : mm
*.Tolerance : ± 0.2mm



3-2. Component Max Height



3-3. Marking



*. PART NO. : FIF1011-01A
*. LOT NO. : ○○○○○○
 ↓ ↓ ↓
 YEAR MONTH DAY

