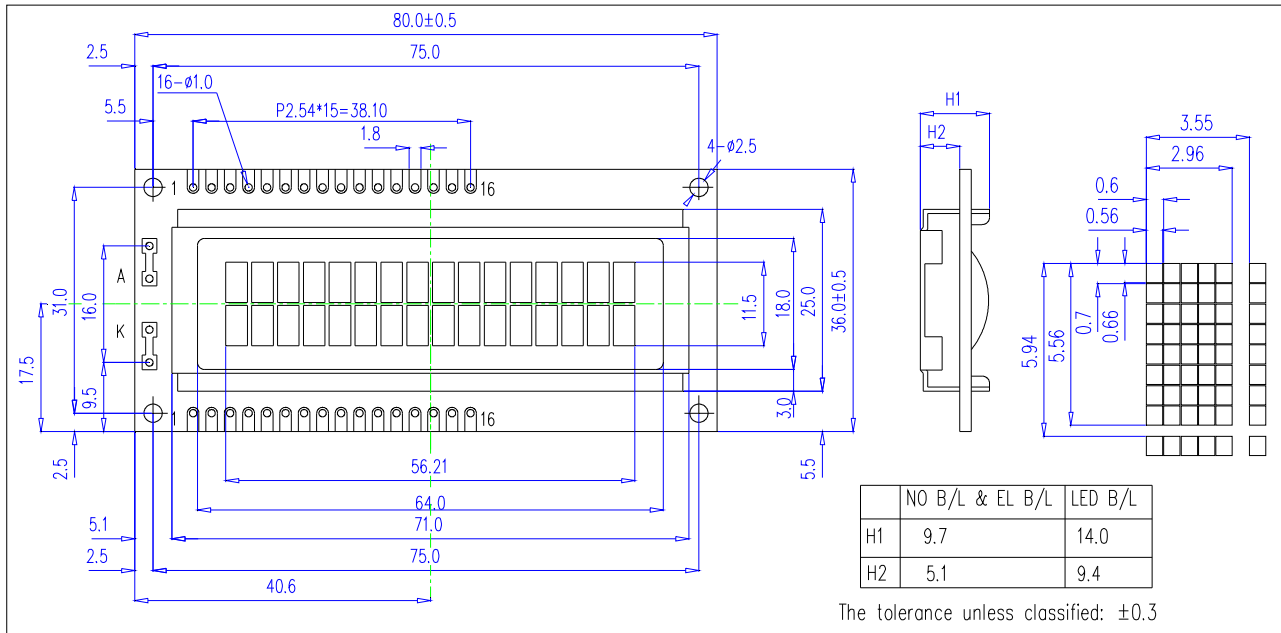


1, OUTLINE DRAWING



2, BLOCK DIAGRAM

3, DISPLAY CHARACTERISTICS

LCD Display mode	STN-Transflective-Positive-Y/G
Driving method	1/16duty, 1/5 bias
Backlight	LED

4, ELECTRICAL CHARACTERISTICS

Item	Symbol	Min.	Typ.	Max.
Logic Power Supply Voltage(V)	V _{DD}		5.0	
Input Voltage(V)	V _{ih}	0.7V _{DD}		V _{DD}
Output Voltage(V)	V _{il}	0		0.3V _{DD}
LCD Driving Voltage(V)	V _{lcd}		4.5	

5, TERMINAL FUNCTIONS

Pin	Name	Level	Functions
1	VSS	-	Power supply (GND)
2	VDD	-	Power supply
3	V _o	-	Power supply for LCD
4	RS	H/L	Data/Command
5	R/W	L	Read/Write
6	E	L	Enable signal
7-14	D0-D7	H/L	Data bus
15	LED+	-	Power supply for LED B/L
16	LED-	-	Power supply for LED B/L

6, BACKLIGHT CHARACTERISTICS

Item	Symbol	Min.	Typ.	Max.	Condition
Forward Current (mA)	I _f		100		V _f = 5.0V
Luminous (cd/m ²)	I _V		100		
Color		Yellow-Green			