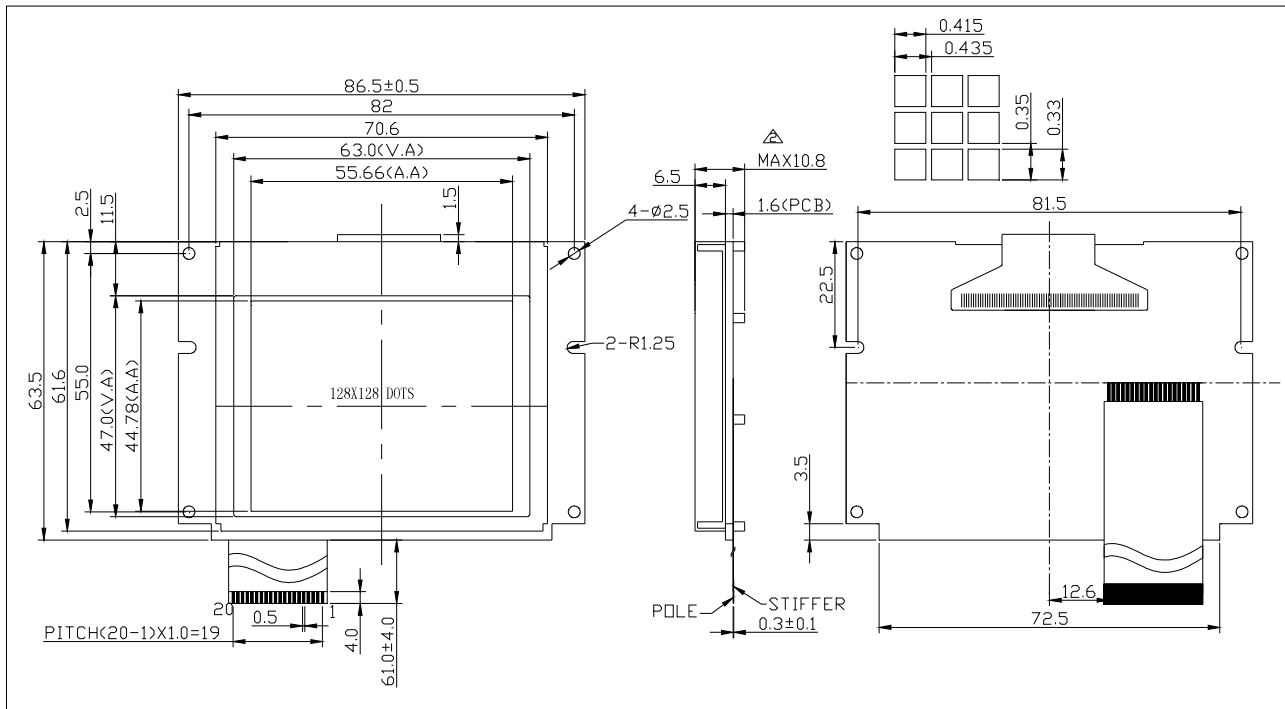
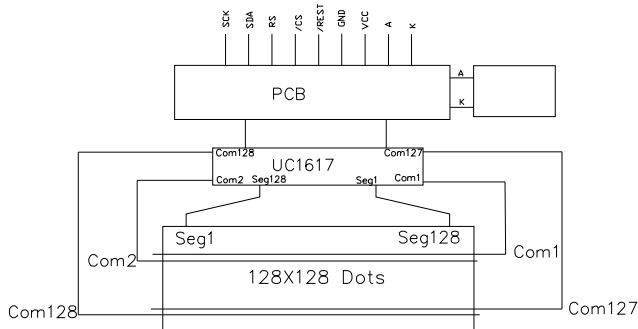


1, OUTLINE DRAWING



2, BLOCK DIAGRAM



3, DISPLAY CHARACTERISTICS

LCD Display mode	FSTN-Transflective-Positive
Driving method	1/128duty, 1/11 bias
Backlight	LED, White

4, ELECTRICAL CHARACTERISTICS

Item	Symbol	Min.	Typ.	Max.
Logic Power Supply Voltage(V)	V _{DD}		3.3	
Input Voltage(V)	V _{ih}	0.7V _{DD}		V _{DD}
Output Voltage(V)	V _{il}	0		0.6
LCD Driving Voltage(V)	V _{lcd}		14.0	

5, TERMINAL FUNCTIONS

Pin	Name	Level	Functions
1~6/ 12/14	NC		No connection
7	SCK	-	CLOCK
8	SDA	H/L	Data
9/11/1 3/18	GND	-	Power supply (GND)
10	RS	H/L	Command/Data
15	/CS	L	Enable signal
16	/REST	L	Reset signal
17	VCC	-	Power supply
19	A	-	LED Power supply A
20	K	-	LED Power supply K

6, BACKLIGHT CHARACTERISTICS

Item	Symbol	Min.	Typ.	Max.	Condition
Forward Current (mA)	I _f		52		V _f =3.3V
Luminous (cd/m ²)	I _V		600		
Color			White		