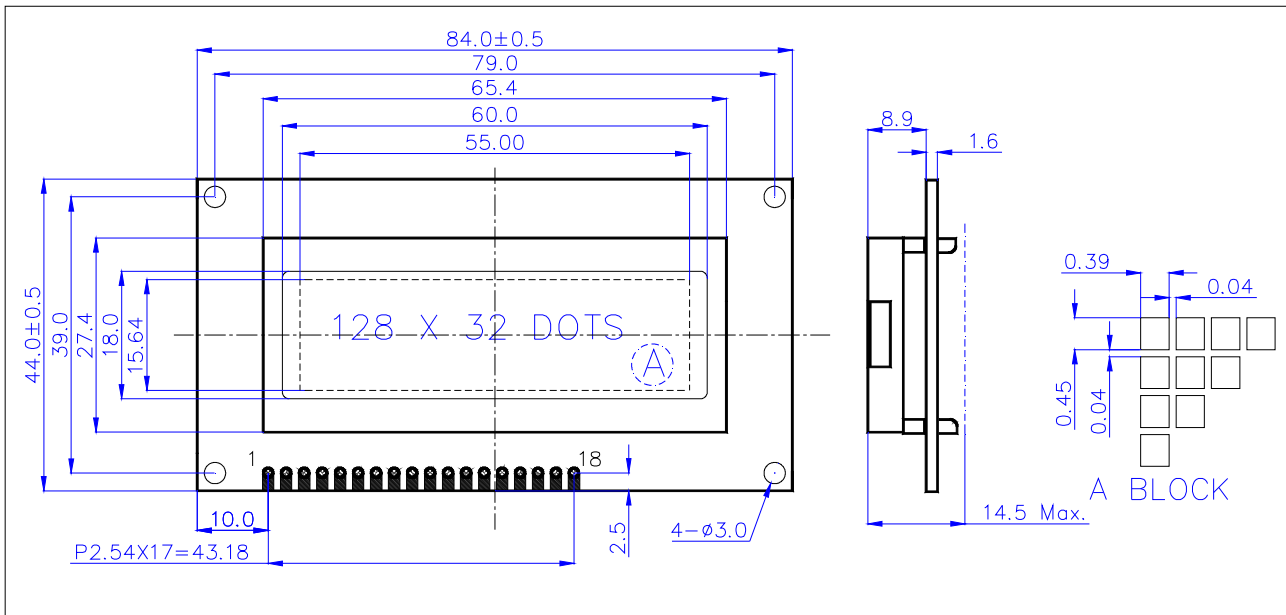
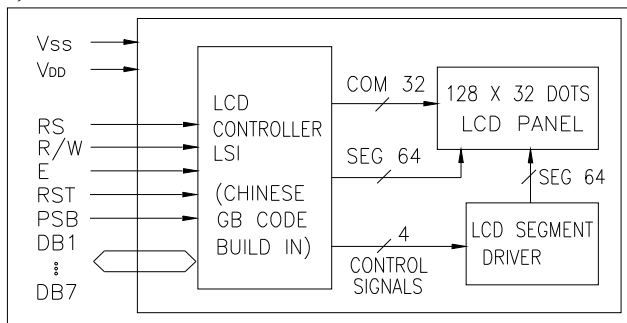


1, OUTLINE DRAWING



2, BLOCK DIAGRAM



3, DISPLAY CHARACTERISTICS

LCD Display mode	STN-Transflective-Positive-Y/G
Driving method	1/33duty, 1/5 bias
Backlight	LED Bottom Y/G

4, ELECTRICAL CHARACTERISTICS

Item	Symbol	Min.	Typ.	Max.
Logic Power Supply Voltage(V)	V _{DD}		5.0	
Input Voltage(V)	V _{ih}	0.7V _{DD}		V _{DD}
Output Voltage(V)	V _{il}	0		0.3V _{DD}
LCD Driving Voltage(V)	V _{lcd}		6.0	

5, TERMINAL FUNCTIONS

Pin	Name	Level	Functions
1	VSS	-	Power supply (GND)
2	VDD	-	Power supply
3	NC	-	No connect
4	RS	H/L	Data/Command
5	R/W	H/L	H: Read(Module to Mpu) L: Write(Mpu to Module)
6	E	H	Enable Signal
7-14	DB0-DB7	H/L	Data bus
5	PSB	H/L	H: Parallel mode L: Serial mode
16	/RST	L	Reset signal
17	LED-	-	Power supply for LED B/L
18	LED+	-	Power supply for LED B/L

6, BACKLIGHT CHARACTERISTICS

Item	Symbol	Min.	Typ.	Max.	Condition
Forward Current (mA)	I _f		90	120	V _f =5.0V
Luminous (cd/m ²)	I _V		200		
Color		Yellow-Green			