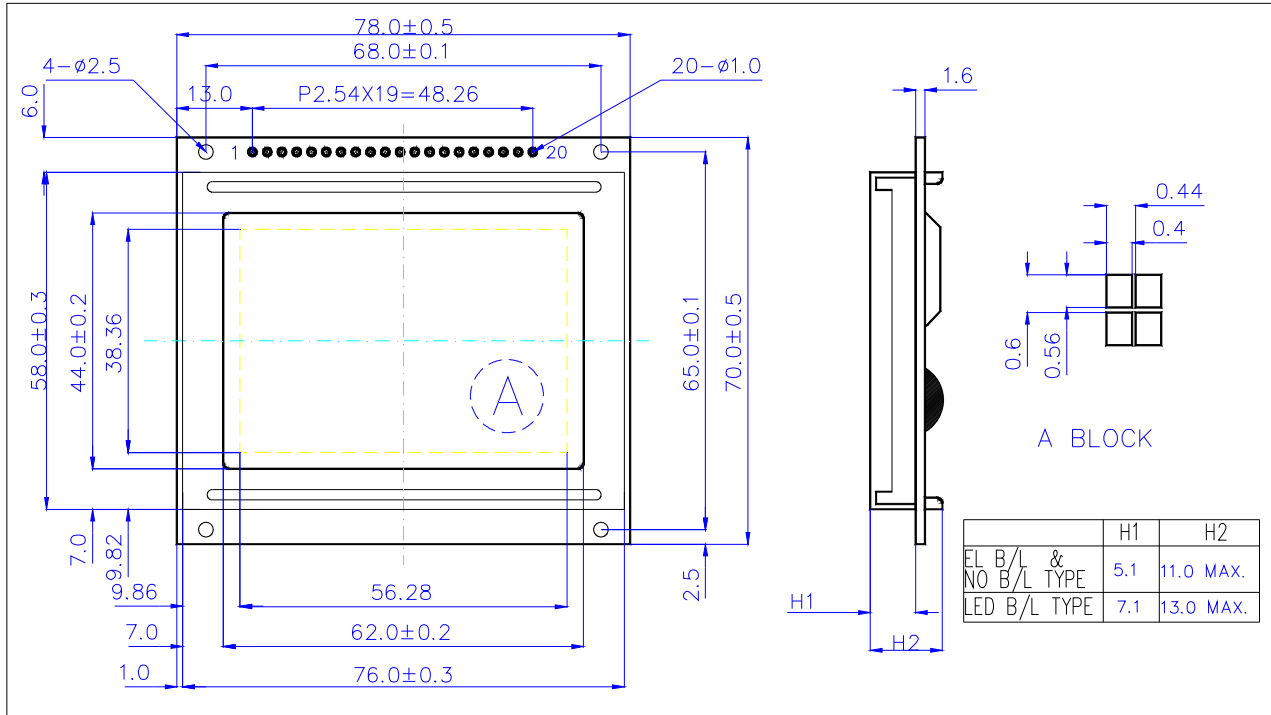
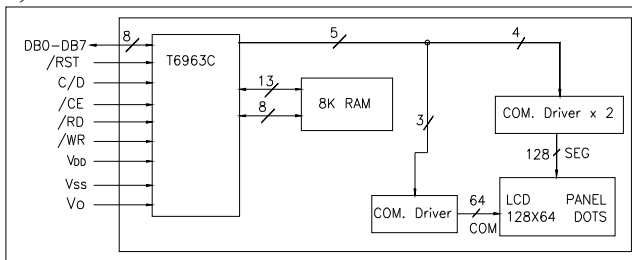


1, OUTLINE DRAWING



2, BLOCK DIAGRAM



3, DISPLAY CHARACTERISTICS

LCD Display mode	STN-Transflective-Positive-Y/G
Driving method	1/64duty, 1/9 bias
Backlight	LED Y/G

4, ELECTRICAL CHARACTERISTICS

Item	Symbol	Min.	Typ.	Max.
Logic Power Supply Voltage(V)	VDD		5.0	
Input Voltage(V)	Vih	0.7VDD		VDD
Output Voltage(V)	Vil	0		0.3VDD
LCD Driving Voltage(V)	Vlcd		10.5	

5, TERMINAL FUNCTIONS

Pin	Name	Level	Functions
1	FG	-	Frame ground
2	VSS	-	Power supply (GND)
3	VDD	-	Power supply
4	Vo	-	Power supply for LCD
5	/WR	L	Write signal
6	/RD	L	Read signal
7	/CE	L	Chip select
8	C/D	H/L	Command/Data
9	/RST	L	Reset signal
10-17	DB0-DB7	H/L	Data bus
18	FS	H/L	Font select
19	LED-	-	Power supply for LED B/L
20	LED+	-	Power supply for LED B/L

6, BACKLIGHT CHARACTERISTICS

Item	Symbol	Min.	Typ.	Max.	Condition
Forward Voltage (V)	Vf		4.2	4.4	If= 120mA
Luminous (cd/m ²)	IV	80			
Color		Yellow-Green			