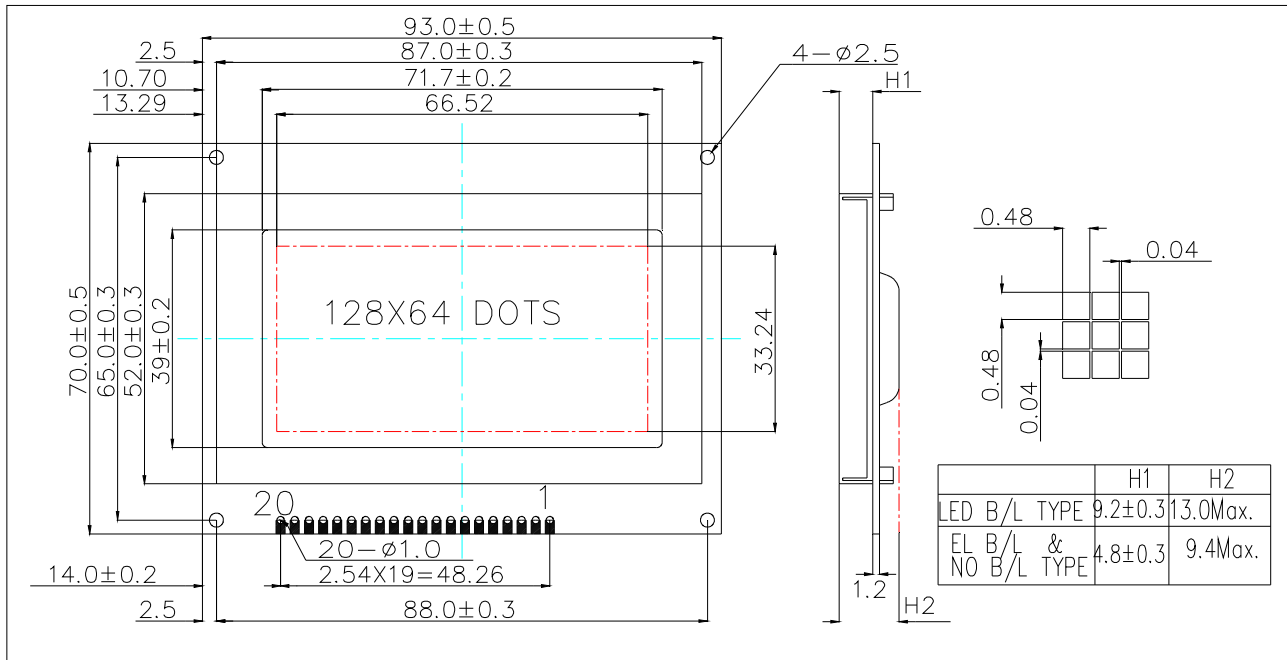
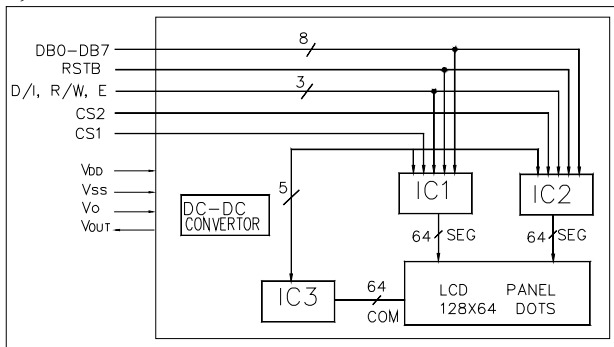


1, OUTLINE DRAWING



2, BLOCK DIAGRAM



3, DISPLAY CHARACTERISTICS

LCD Display mode	STN-Transflective-Positive-Y/G
Driving method	1/64duty, 1/9 bias
Backlight	LED, Y/G, BOTTOM

4, ELECTRICAL CHARACTERISTICS

Item	Symbol	Min.	Typ.	Max.
Logic Power Supply Voltage(V)	V _{DD}		5.0	
Input Voltage(V)	V _{IH}	0.7V _{DD}		V _{DD}
Output Voltage(V)	V _{IL}	0		0.6
LCD Driving Voltage(V)	V _{lcd}		11.0	

5, TERMINAL FUNCTIONS

Pin	Name	Level	Functions
1	VSS	-	Power supply (GND)
2	VDD	-	Power supply
3	V ₀	-	Contrast adjust
4	D/I	H/L	Data/Command
5	R/W	H/L	H: Read(Module to Mpu) L: Write(Mpu to Module)
6	E	H	Enable signal
7-14	DB0-DB7	H/L	Data bus
15	CS1	H	Chip select for IC1
16	CS2	H	Chip select for IC2
17	/RST	L	Reset signal
18	V _{out}	-	Negative voltage output
19	LED+	-	Power supply for LED B/L
20	LED-	-	Power supply for LED B/L

6, BACKLIGHT CHARACTERISTICS

Item	Symbol	Min.	Typ.	Max.	Condition
Forward Current (mA)	I _f		200		V _f = 5V
Luminous (cd/m ²)	I _V		130		V _f = 5V
Color			Y/G		