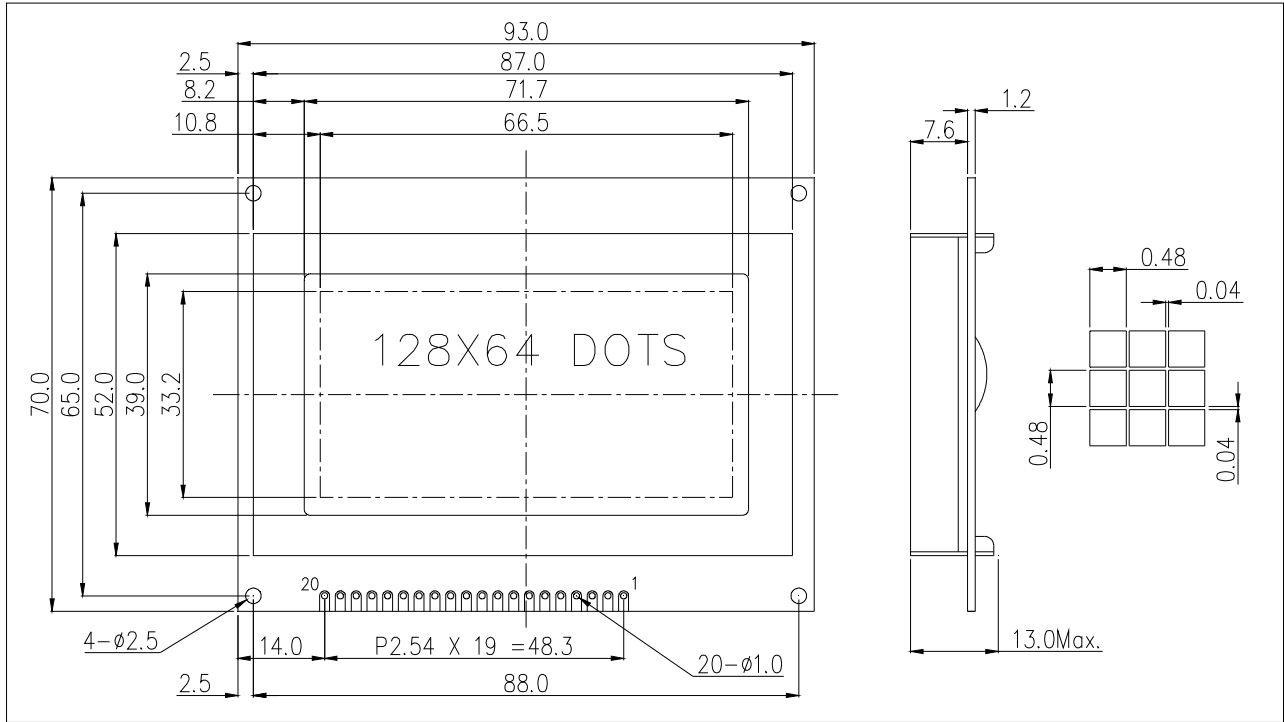
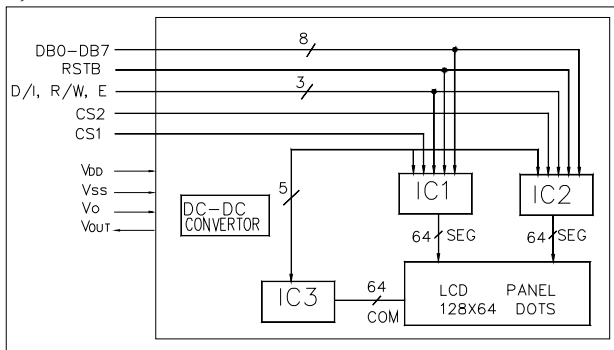


## 1, OUTLINE DRAWING



## 2, BLOCK DIAGRAM



## 3, DISPLAY CHARACTERISTICS

LCD Display mode	STN-Transmissive-negative-blue
Driving method	1/64duty, 1/9 bias
Backlight	LED, White

## 4, ELECTRICAL CHARACTERISTICS

Item	Symbol	Min.	Typ.	Max.
Logic Power Supply Voltage(V)	VDD		5.0	
Input Voltage(V)	Vih	0.7VDD		VDD
Output Voltage(V)	Vil	0		0.6
LCD Driving Voltage(V)	Vlcd		11.0	

## 5, TERMINAL FUNCTIONS

Pin	Name	Level	Functions
1	VSS	-	Power supply (GND)
2	VDD	-	Power supply
3	Vo	-	Contrast adjust
4	D/I	H/L	Data/Command
5	R/W	H/L	H: Read(Module to Mpu) L: Write(Mpu to Module)
6	E	H	Enable signal
7-14	DB0-DB7	H/L	Data bus
15	CS1	H	Chip select for IC1
16	CS2	H	Chip select for IC2
17	/RST	L	Reset signal
18	Vout	-	Negative voltage output
19	LED+	-	Power supply for LED B/L
20	LED-	-	Power supply for LED B/L

## 6, BACKLIGHT CHARACTERISTICS

Item	Symbol	Min.	Typ.	Max.	Condition
Forward Current (mA)	If		45		Vf= 5V
Luminous (cd/m <sup>2</sup> )	IV		400		Vf= 5V
Color			White		