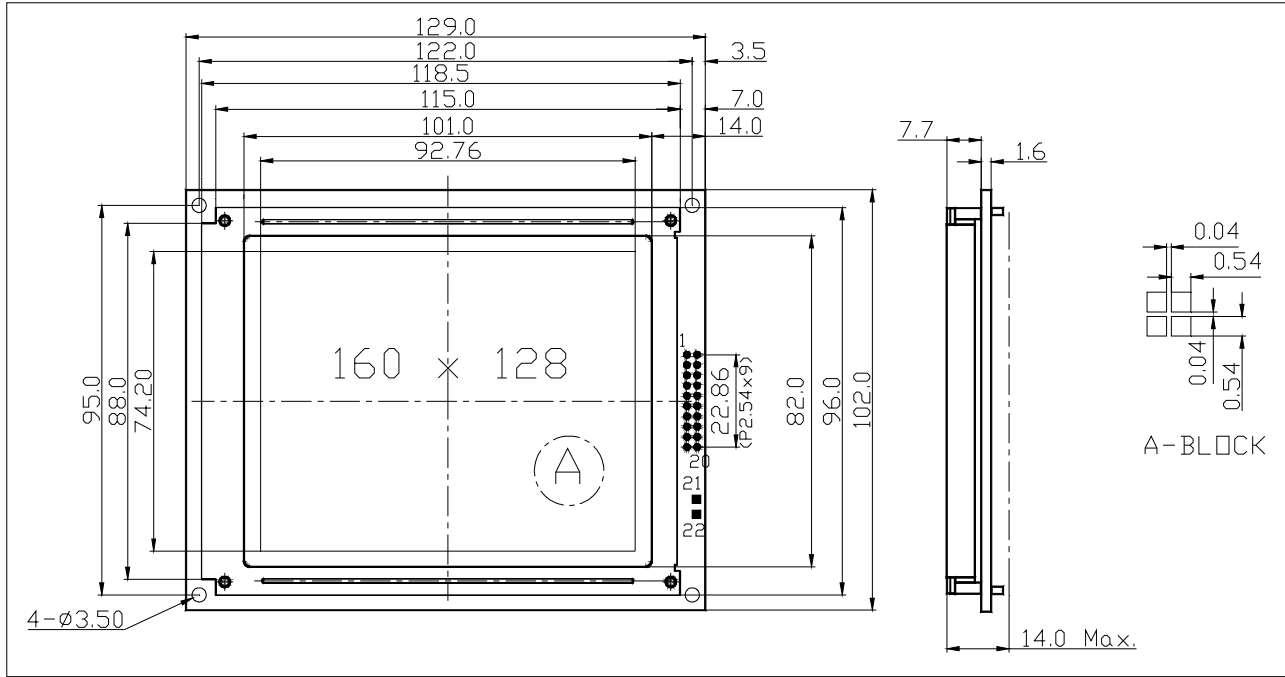
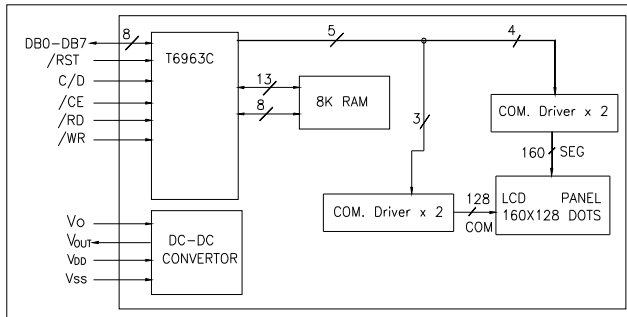


1, OUTLINE DRAWING



2, BLOCK DIAGRAM



3, DISPLAY CHARACTERISTICS

LCD Display mode	FSTN-Transflective-Positive
Driving method	1/128duty, 1/12 bias
Backlight	LED, White

4, ELECTRICAL CHARACTERISTICS

Item	Symbol	Min.	Typ.	Max.
Logic Power Supply Voltage(V)	VDD		5.0	
Input Voltage(V)	Vih	0.7VDD		VDD
Output Voltage(V)	Vil	0		0.6
LCD Driving Voltage(V)	Vlcd		16.3	

5, TERMINAL FUNCTIONS

Pin	Name	Level	Functions
1	FG	-	Frame Ground
2	Vss	-	Ground
3	VDD	-	Power Supply for Lofic
4	Vo	-	Contrast Adjust
5	Vout	-	Negative Voltage Output
6	/WR	L	Write Signal
7	/RD	L	Read Signal
8	/CE	L	Chip Enable
9	C/D	H/L	Write: H: Commad Write, L-Data Write Read: H-Status Read, L-Data Read
10	/HALT	L	Sleep mode enable
11	/RST	L	Reset signal
12 - 19	DB0 - DB7	H/L	Data Bus
20	LED+	-	Power Supply for B/L

6, BACKLIGHT CHARACTERISTICS

Item	Symbol	Min.	Typ.	Max.	Condition
Forward Current (mA)	If		135		Vf= 5.0 V
Luminous (cd/m ²)	IV		360		
Color			White		