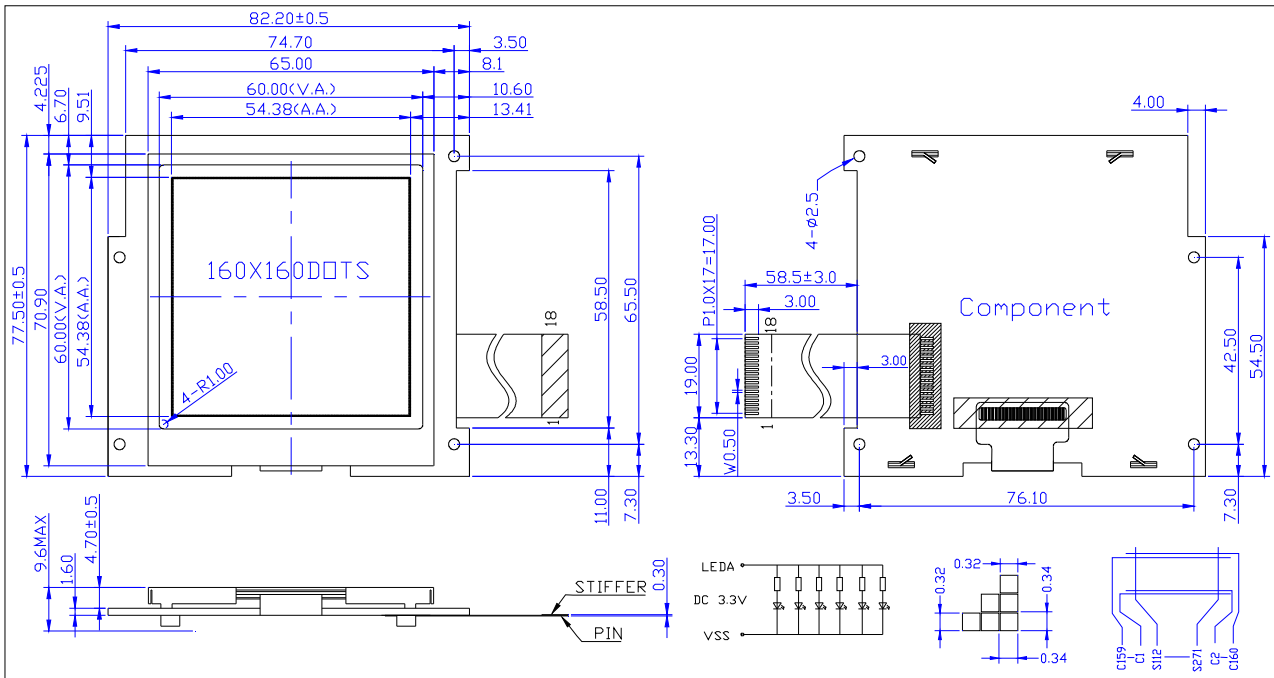


1, OUTLINE DRAWING



2, BLOCK DIAGRAM

5, TERMINAL FUNCTIONS

Pin	Name	Level	Functions
1	Vss	-	Power supply (GND)
2	RS	H/L	Data/Command
3	WR	H/L	Write
4	RD	H/L	Read
5	/CS	L	Chip select
6	/RST	L	Reset signal
7	VDD	-	Power supply
8-15	DB0-DB7	H/L	Data bus
16	LEDK	-	LED Power supply K
17	NC	-	No connection
18	LEDA	-	LED Power supply A

3, DISPLAY CHARACTERISTICS

LCD Display mode	FSTN-Transflective-Positive
Driving method	1/160duty, 1/10 bias
Backlight	LED, White

4, ELECTRICAL CHARACTERISTICS

Item	Symbol	Min.	Typ.	Max.
Logic Power Supply Voltage(V)	VDD		3.3	
Input Voltage(V)	Vih	0.7VDD		VDD
Output Voltage(V)	Vil	0		0.6
LCD Driving Voltage(V)	Vlcd		16.5	

6, BACKLIGHT CHARACTERISTICS

Item	Symbol	Min.	Typ.	Max.	Condition
Forward Current (mA)	If		90		Vf=3.3V
Luminous (cd/m ²)	IV		400		
Color		White			