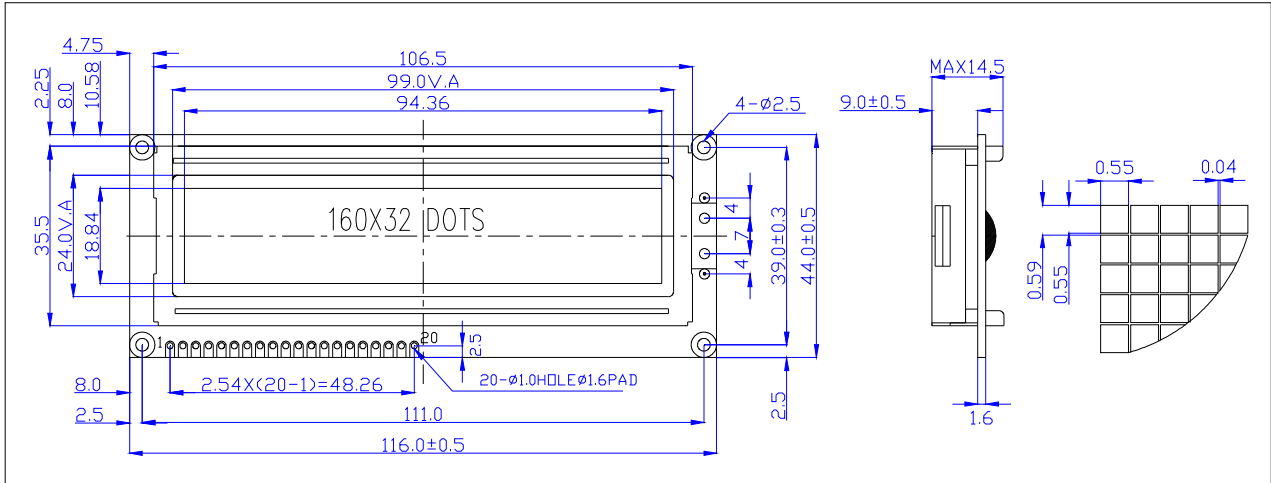
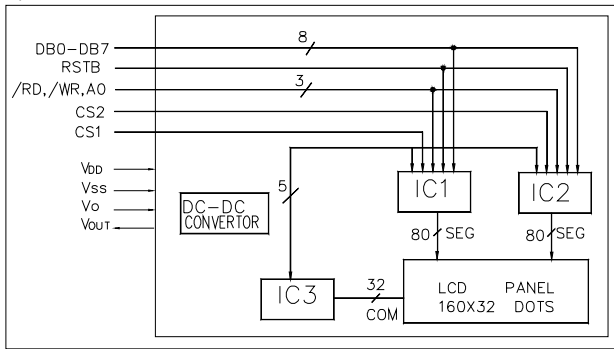


1, OUTLINE DRAWING



2, BLOCK DIAGRAM



3, DISPLAY CHARACTERISTICS

LCD Display mode	STN-Transflective-Positive-Y/G
Driving method	1/48duty, 1/6 bias
Backlight	LED, Bottom, Y/G

4, ELECTRICAL CHARACTERISTICS

Item	Symbol	Min.	Typ.	Max.
Logic Power Supply Voltage(V)	VDD		5.0	
Input Voltage(V)	Vih	0.7VDD		VDD
Output Voltage(V)	Vil	0		0.6
LCD Driving Voltage(V)	Vlcd		6.5	

5, TERMINAL FUNCTIONS

Pin	Name	Level	Functions
1	A0	H/L	H: Display data L: Instruction code
2	/CS2	L	Chip selection for IC2
3	/CS1	L	Chip selection for IC1
4	/RD	L	Data/status read
5	/WR	L	Data/instruction write
6	VDD	-	Power supply
7	VSS	-	Power supply(GND)
8-15	DB0-D B7	H/L	Data bus line
16	RST	L	Reset signal
17	Vo	-	Contrast adjust
18	VOOUT	-	Negative voltage output
19	A	-	Power supply for LED B/L(+)
20	K	-	Power supply for LED B/L(-)

6, BACKLIGHT CHARACTERISTICS

Item	Symbol	Min.	Typ.	Max.	Condition
Forward Voltage (V)	Vf		4.2	4.6	If=360mA
Luminous (cd/m ²)	IV		120		
Color		Yellow-Green			