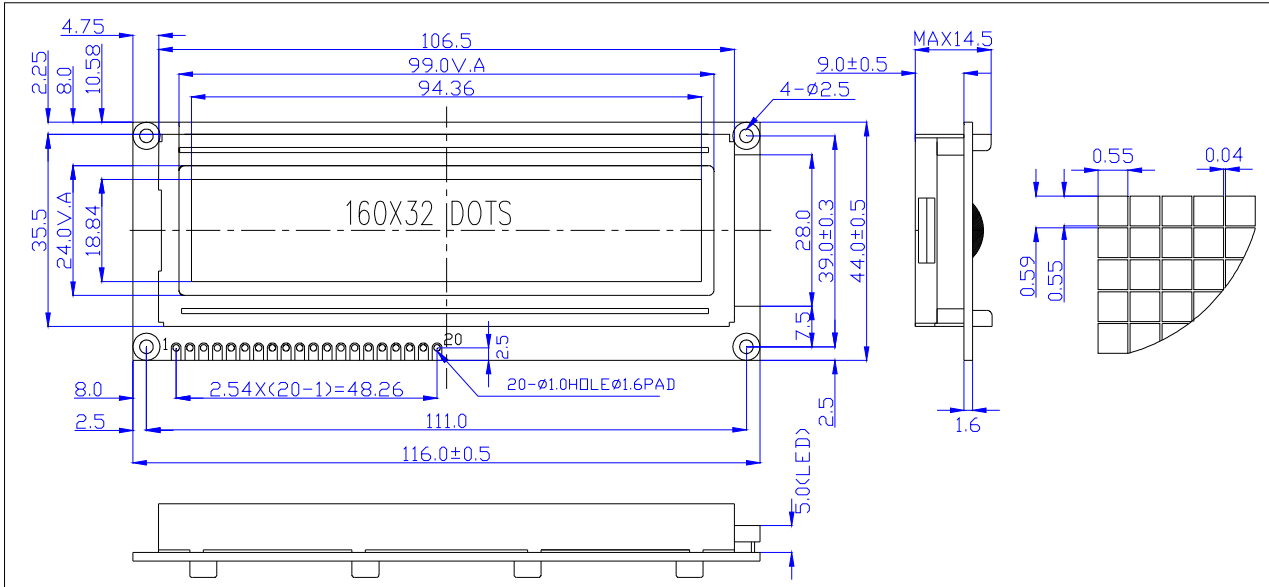
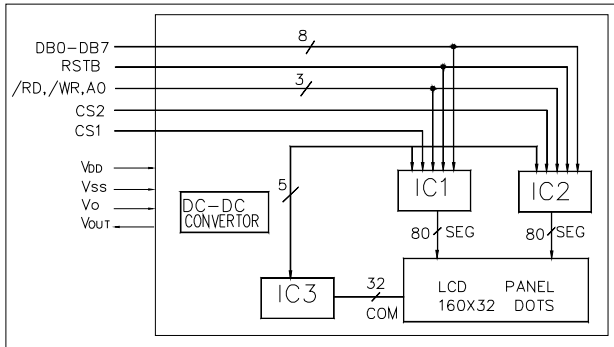


1, OUTLINE DRAWING



2, BLOCK DIAGRAM



3, DISPLAY CHARACTERISTICS

| | |
|------------------|--------------------------------|
| LCD Display mode | STN-Transmissive-Negative-Blue |
| Driving method | 1/48duty, 1/6 bias |
| Backlight | LED, White |

4, ELECTRICAL CHARACTERISTICS

| Item | Symbol | Min. | Typ. | Max. |
|-------------------------------|------------------|--------------------|------|-----------------|
| Logic Power Supply Voltage(V) | V _{DD} | | 5.0 | |
| Input Voltage(V) | V _{ih} | 0.7V _{DD} | | V _{DD} |
| Output Voltage(V) | V _{il} | 0 | | 0.6 |
| LCD Driving Voltage(V) | V _{lcd} | | 6.5 | |

5, TERMINAL FUNCTIONS

| Pin | Name | Level | Functions |
|------|-------------|-------|--|
| 1 | A0 | H/L | H: Display data L: Instruction code |
| 2 | /CS2 | L | Chip selection for IC2 |
| 3 | /CS1 | L | Chip selection for IC1 |
| 4 | /RD | L | Data/status read |
| 5 | /WR | L | Data/instruction write |
| 6 | VDD | - | Power supply |
| 7 | Vss | - | Power supply(GND) |
| 8-15 | DB0-D B7 | H/L | Data bus line |
| 16 | RST | L | Reset signal |
| 17 | Vo | - | Contrast adjust |
| 18 | VOUT | - | Negative voltage output |
| 19 | A | - | Power supply for LED B/L(+) |
| 20 | K | - | Power supply for LED B/L(-) |

6, BACKLIGHT CHARACTERISTICS

| Item | Symbol | Min. | Typ. | Max. | Condition |
|-------------------------------|----------------|-------|------|------|----------------------|
| Forward Current (mA) | I _f | | 26 | | V _f =5.0V |
| Luminous (cd/m ²) | I _V | | 300 | | |
| Color | | White | | | |