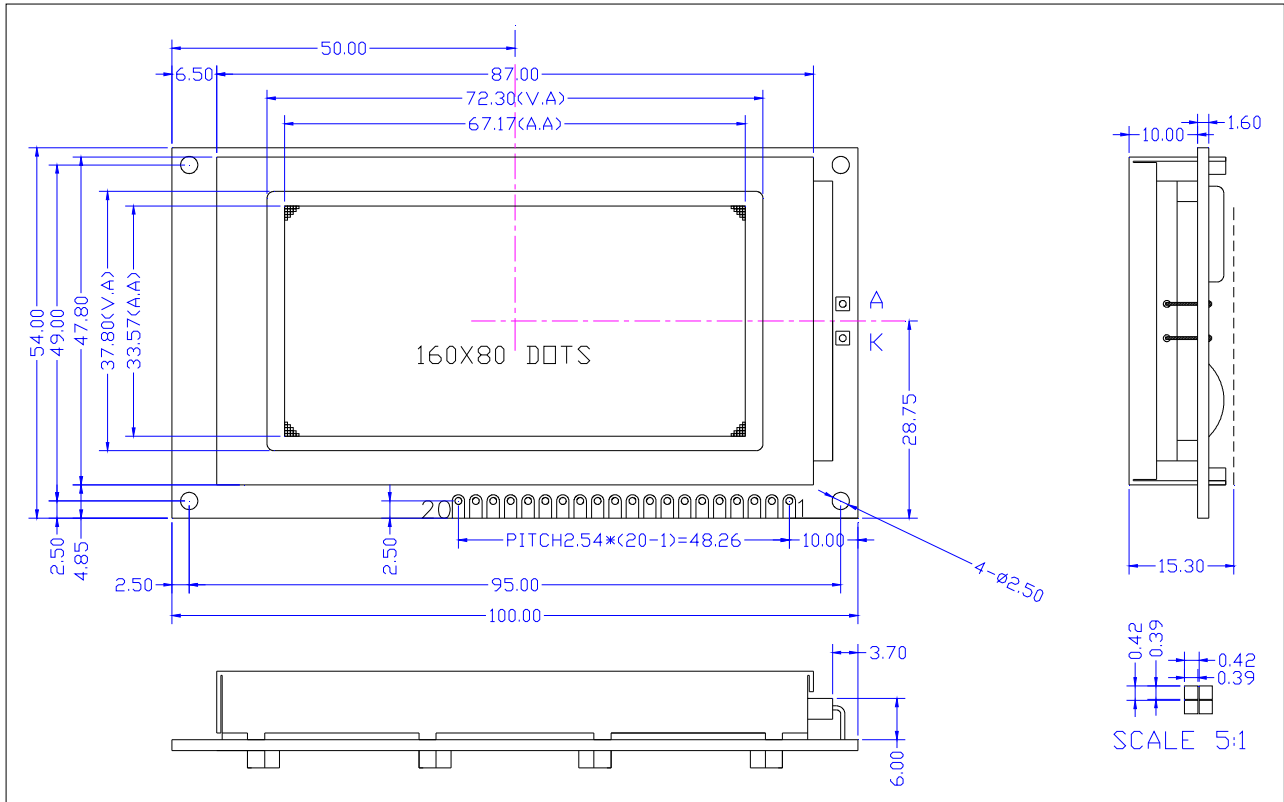
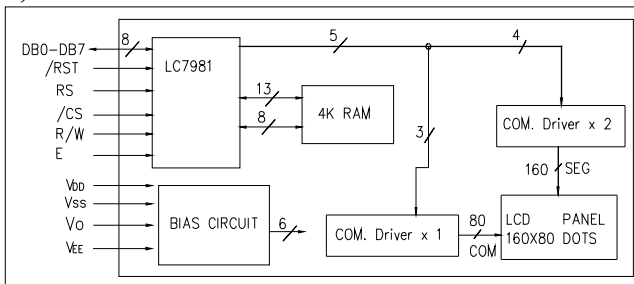


## 1, OUTLINE DRAWING



## 2, BLOCK DIAGRAM



## 3, DISPLAY CHARACTERISTICS

LCD Display mode	STN-Transflective-Positive-Y/G
Driving method	1/80duty, 1/10 bias
Backlight	LED White

## 4, ELECTRICAL CHARACTERISTICS

Item	Symbol	Min.	Typ.	Max.
Logic Power Supply Voltage(V)	V <sub>DD</sub>		3.3	
Input Voltage(V)	V <sub>Ih</sub>	0.7V <sub>DD</sub>		V <sub>DD</sub>
Output Voltage(V)	V <sub>Il</sub>	0		0.6
LCD Driving Voltage(V)	V <sub>lcd</sub>		12.0	

## 5, TERMINAL FUNCTIONS

Pin	Name	Level	Functions
1	V <sub>SS</sub>	-	GROUND
2	V <sub>DD</sub>	-	POWER SUPPLY FOR LOGIC
3	V <sub>0</sub>	-	CONTRAST ADJUST
4	RS	H/L	H:-INSTRUCTION REGISTER L:-DATA REGISTER
5	R/W	L	H: READ; W: WRITE
6	E	L	ENABLE SIGNAL
7 - 14	DB0 - DB7	H/L	DATA BUS
15	/CS	L	CHIP ENABLE SIGNAL
16	/RST	L	RESET SIGNAL
17	VEE	-	NEGATIVE VOLTAGE SUPPLY FOR LCD
18	NC	-	NO CONNECTION
19	A	-	LED Power supply A
20	K	-	LED Power supply K

## 6, BACKLIGHT CHARACTERISTICS

Item	Symbol	Min.	Typ.	Max.	Condition
Forward Current (mA)	I <sub>f</sub>		21		V <sub>f</sub> =12 V
Luminous (cd/m <sup>2</sup> )	I <sub>V</sub>		450		
Color		Yellow-Green			