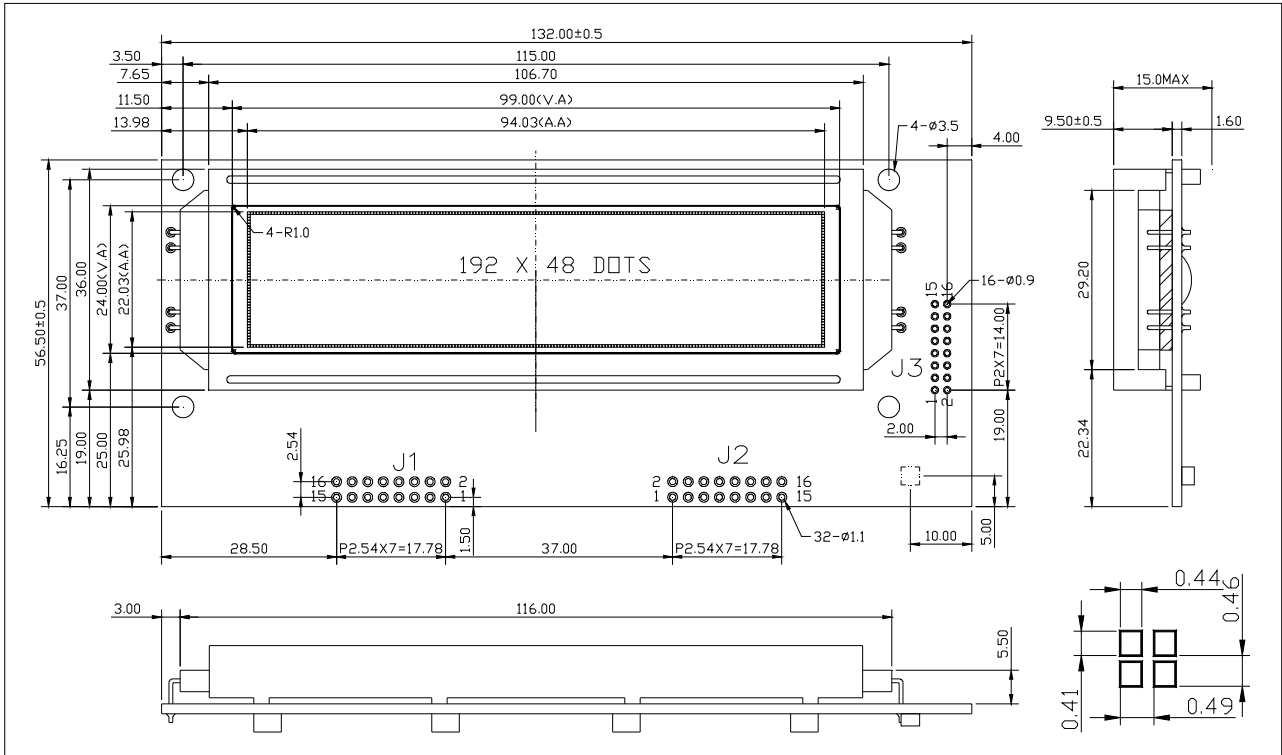
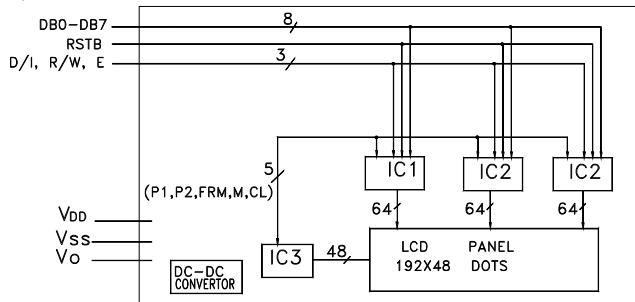


1, OUTLINE DRAWING



2, BLOCK DIAGRAM



3, DISPLAY CHARACTERISTICS

LCD Display mode	STN-Transflective-Positive-Gray
Driving method	1/48duty, 1/7 bias
Backlight	LED

4, ELECTRICAL CHARACTERISTICS

Item	Symbol	Min.	Typ.	Max.
Logic Power Supply Voltage(V)	VDD		5.0	
Input Voltage(V)	Vih	0.7VDD		VDD
Output Voltage(V)	Vil	0		0.6
LCD Driving Voltage(V)	Vlcd		9.0	

5, TERMINAL FUNCTIONS

J1	Name	Level	Functions
1	Vss	0V	Power supply(GND)
2	VDD	5.0V	Power supply
3	Vo	—	Contrast Adjust
4	RS	H/L	H: Display data L: Instruction code
5	R/W	H/L	H: Data/status read L: Data/instruction write
6	E	H, H/L	Chip enable signal
7~14	DB0-D B7	H/L	Data bus line
15	BLA	-	Power supply for LED backlight
16	Reset	L	Reset Signal

6, BACKLIGHT CHARACTERISTICS

Item	Symbol	Min.	Typ.	Max.	Condition
Forward Current (mA)	If		60	72	Vf=5.0V
Luminous (cd/m ²)	IV	320			
Color			White		