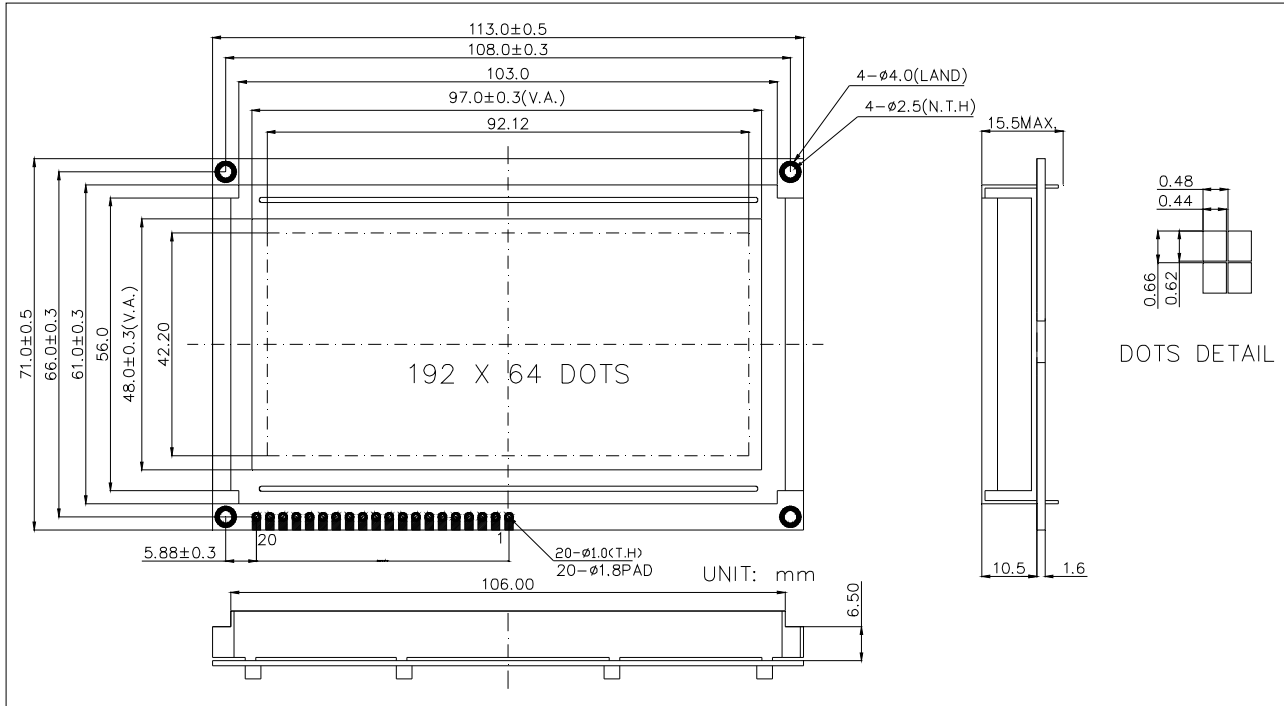
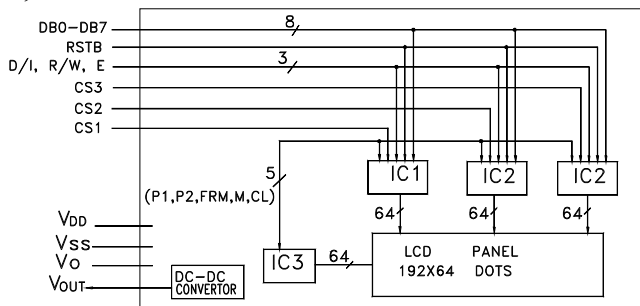


1, OUTLINE DRAWING



2, BLOCK DIAGRAM



3, DISPLAY CHARACTERISTICS

LCD Display mode	FSTN-Transflective-Positive
Driving method	1/64duty, 1/9 bias
Backlight	LED White

4, ELECTRICAL CHARACTERISTICS

Item	Symbol	Min.	Typ.	Max.
Logic Power Supply Voltage(V)	V _{DD}		5.0	
Input Voltage(V)	V _{ih}	0.7V _{DD}		V _{DD}
Output Voltage(V)	V _{il}	0		0.6
LCD Driving Voltage(V)	V _{lcd}		8.7	

5, TERMINAL FUNCTIONS

Pin	Name	Level	Functions
1	V _{SS}	0V	Power supply(GND)
2	V _{DD}	5.0V	Power supply
3	V _O	—	Contrast Adjust
4	D/I	H/L	H: Display data L: Instruction code
5	R/W	H/L	H: Data/status read L: Data/instruction write
6	E	H, H/L	Chip enable signal
7~14	DB0-DB7	H/L	Data bus line
15	CS1	H	Chip selection for IC1
16	CS2	H	Chip selection for IC2
17	CS3	H	Chip selection for IC3
18	Reset	L	Reset Signal
19	V _{OUT}	-	Negative Voltage Output
20	LED+	-	Power supply For LED B/L

6, BACKLIGHT CHARACTERISTICS

Item	Symbol	Min.	Typ.	Max.	Condition
Forward Current (mA)	I _f		120		V _f =5.0V
Luminous (cd/m ²)	I _V		360		
Color			Yellow-Green		