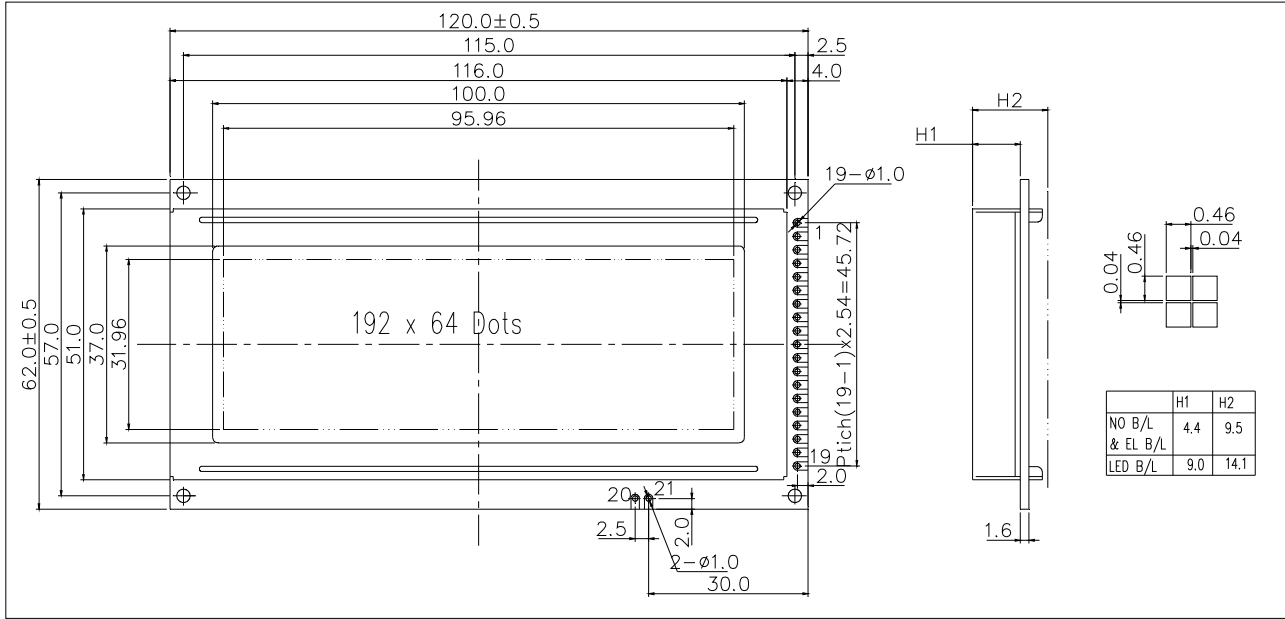
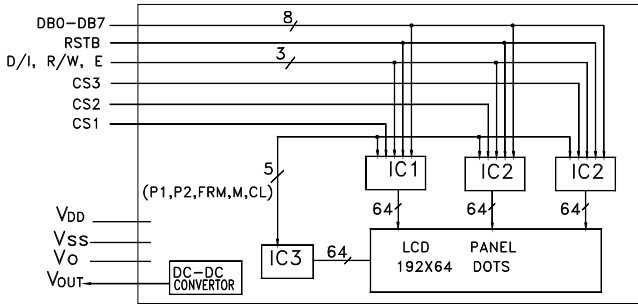


1, OUTLINE DRAWING



2, BLOCK DIAGRAM



3, DISPLAY CHARACTERISTICS

LCD Display mode	FSTN-Transflective-Positive
Driving method	1/64duty, 1/9 bias
Backlight	LED

4, ELECTRICAL CHARACTERISTICS

Item	Symbol	Min.	Typ.	Max.
Logic Power Supply Voltage(V)	VDD		3.3	
Input Voltage(V)	Vih	0.7VDD		VDD
Output Voltage(V)	Vil	0		0.6
LCD Driving Voltage(V)	Vlcd		10.0	

5, TERMINAL FUNCTIONS

Pin	Name	Level	Functions
1	VSS	0V	Power supply(GND)
2	VDD	5.0V	Power supply
3	Vo	—	Contrast Adjust
4	VOUT	-	Negative Voltage Output
5	RS	H/L	H: Display data L: Instruction code
6	R/W	H/L	H: Data/status read L: Data/instruction write
7	E	H, H/L	Chip enable signal
8~15	DB0-DB7	H/L	Data bus line
16	CS1	L	Chip selection for IC1
17	CS2	L	Chip selection for IC2
18	CS3	L	Chip selection for IC3
19	Reset	L	Reset Signal
20	A (EL1)	-	Back light power
21	K (EL2)	-	Back light power

6, BACKLIGHT CHARACTERISTICS

Item	Symbol	Min.	Typ.	Max.	Condition
Forward Voltage (V)	Vf		4.2	4.4	If=370mA
Luminous (cd/m ²)	IV		120		
Color		Yellow-Green			