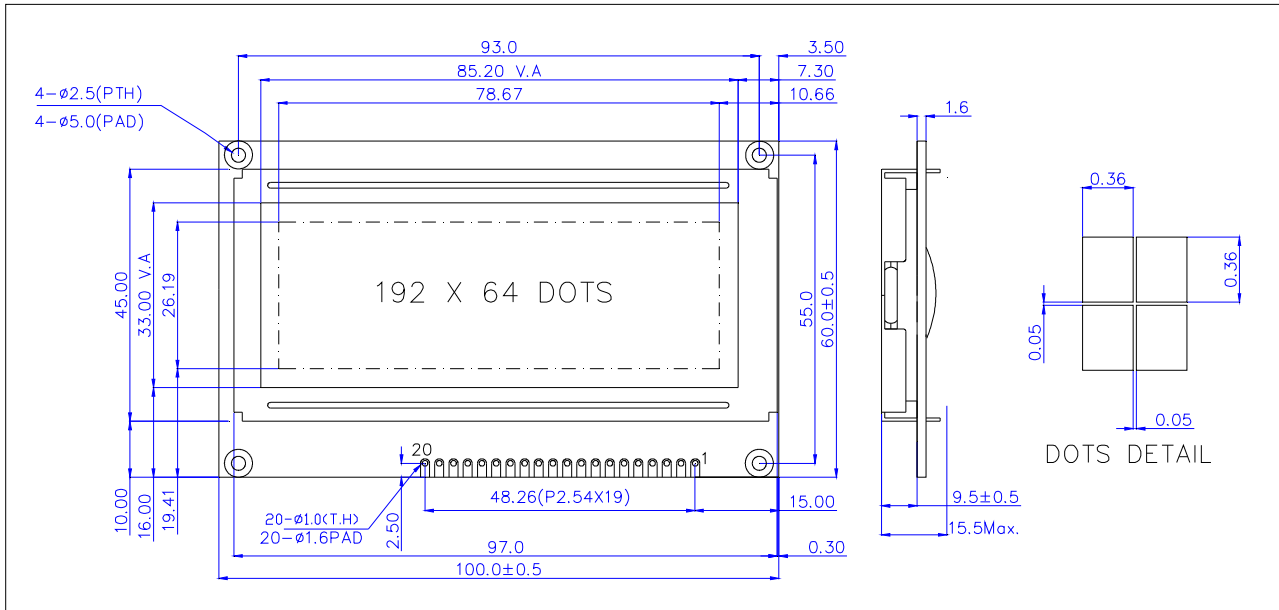
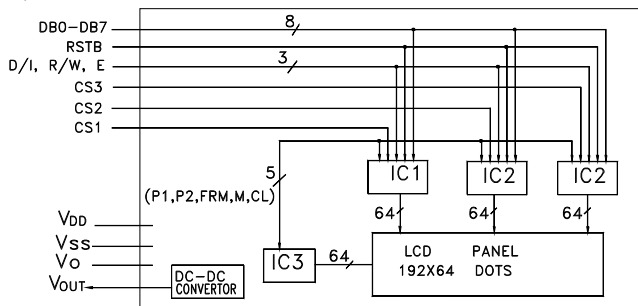


## 1, OUTLINE DRAWING



## 2, BLOCK DIAGRAM



## 3, DISPLAY CHARACTERISTICS

LCD Display mode	STN-Transflective-Positive-Y/G
Driving method	1/64duty, 1/9 bias
Backlight	LED

## 4, ELECTRICAL CHARACTERISTICS

Item	Symbol	Min.	Typ.	Max.
Logic Power Supply Voltage(V)	VDD		5.0	
Input Voltage(V)	Vih	0.7VDD		VDD
Output Voltage(V)	Vil	0		0.6
LCD Driving Voltage(V)	Vlcd		13.0	

## 5, TERMINAL FUNCTIONS

Pin	Name	Level	Functions
1	VSS	0V	Power supply(GND)
2	VDD	5.0V	Power supply
3	Vo	-	Contrast Adjust
4	RS	H/L	H: Display data L: Instruction code
5	R/W	H/L	H: Data/status read L: Data/instruction write
6	E	H, H/L	Chip enable signal
7~14	DB7-D B0	H/L	Data bus line
15	CS3	L	Chip select for IC3
16	Reset	L	Reset Signal
17	CS2	L	Chip select for IC2
18	CS1	L	Chip select for IC1
19	Vout	-	Negativ Voltage Output
20	SLA	-	LED+

## 6, BACKLIGHT CHARACTERISTICS

Item	Symbol	Min.	Typ.	Max.	Condition
Forward Current (mA)	If		280		Vf=5.0V
Luminous (cd/m <sup>2</sup> )	IV		120		
Color			Yellow-Green		