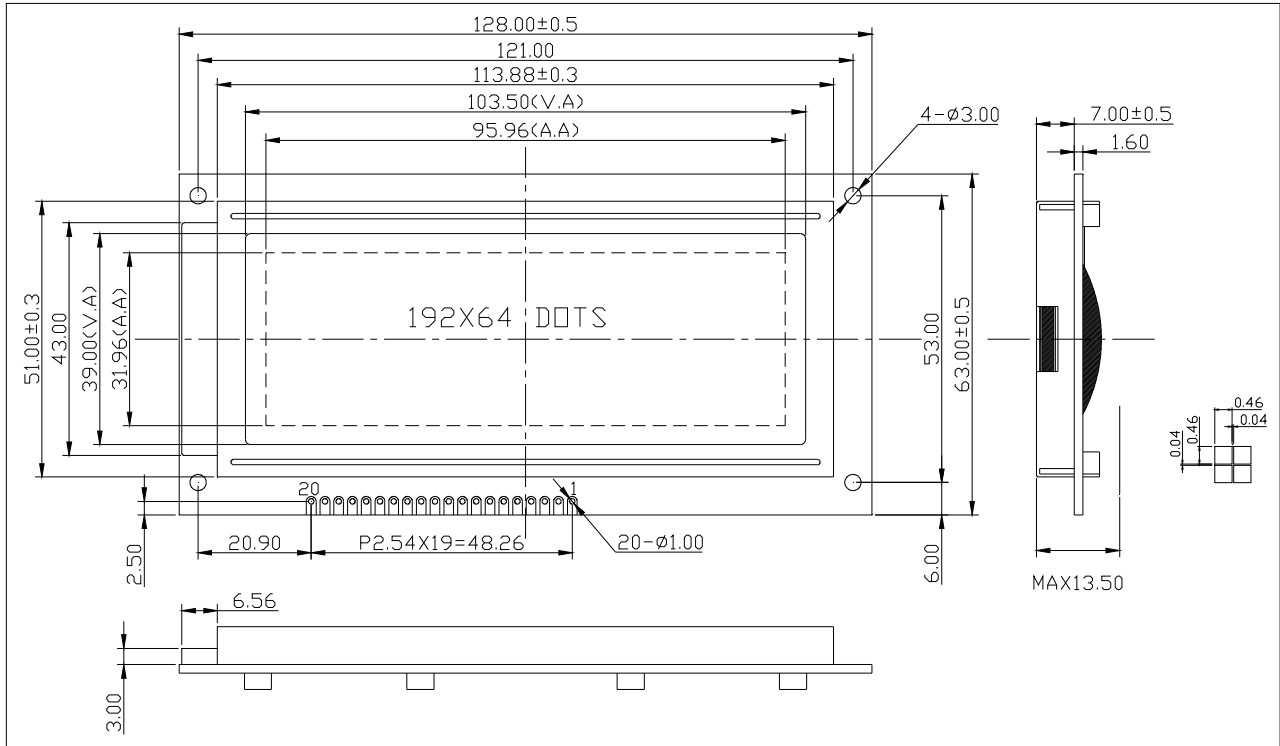
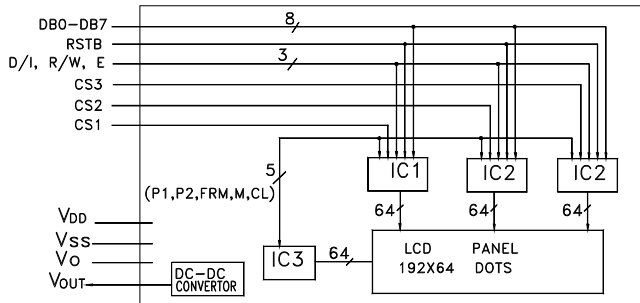


1, OUTLINE DRAWING



2, BLOCK DIAGRAM



3, DISPLAY CHARACTERISTICS

LCD Display mode	STN-Transflective-Positive-Y/G
Driving method	1/64duty, 1/9 bias
Backlight	LED

4, ELECTRICAL CHARACTERISTICS

Item	Symbol	Min.	Typ.	Max.
Logic Power Supply Voltage(V)	V _{DD}		5.0	
Input Voltage(V)	V _{ih}	0.7V _{DD}		V _{DD}
Output Voltage(V)	V _{il}	0		0.6
LCD Driving Voltage(V)	V _{lcd}		9.0	

5, TERMINAL FUNCTIONS

Pin	Name	Level	Functions
1	V _{SS}	0V	Power supply(GND)
2	V _{DD}	5.0V	Power supply
3	V _o	-	Contrast Adjust
4	RS	H/L	H: Display data L: Instruction code
5	R/W	H/L	H: Data/status read L: Data/instruction write
6	E	H, H/L	Chip enable signal
7~14	DB7-DB0	H/L	Data bus line
15	CS1	L	Chip select for IC1
16	Reset	L	Reset Signal
17	CS2	L	Chip select for IC2
18	CS3	L	Chip select for IC3
19	V _{out}	-	Negativ Voltage Output
20	SLA	-	LED+

6, BACKLIGHT CHARACTERISTICS

Item	Symbol	Min.	Typ.	Max.	Condition
Forward Current (mA)	I _f		26		V _f =5.0V
Luminous (cd/m ²)	I _V		180		
Color		Yellow-Green			