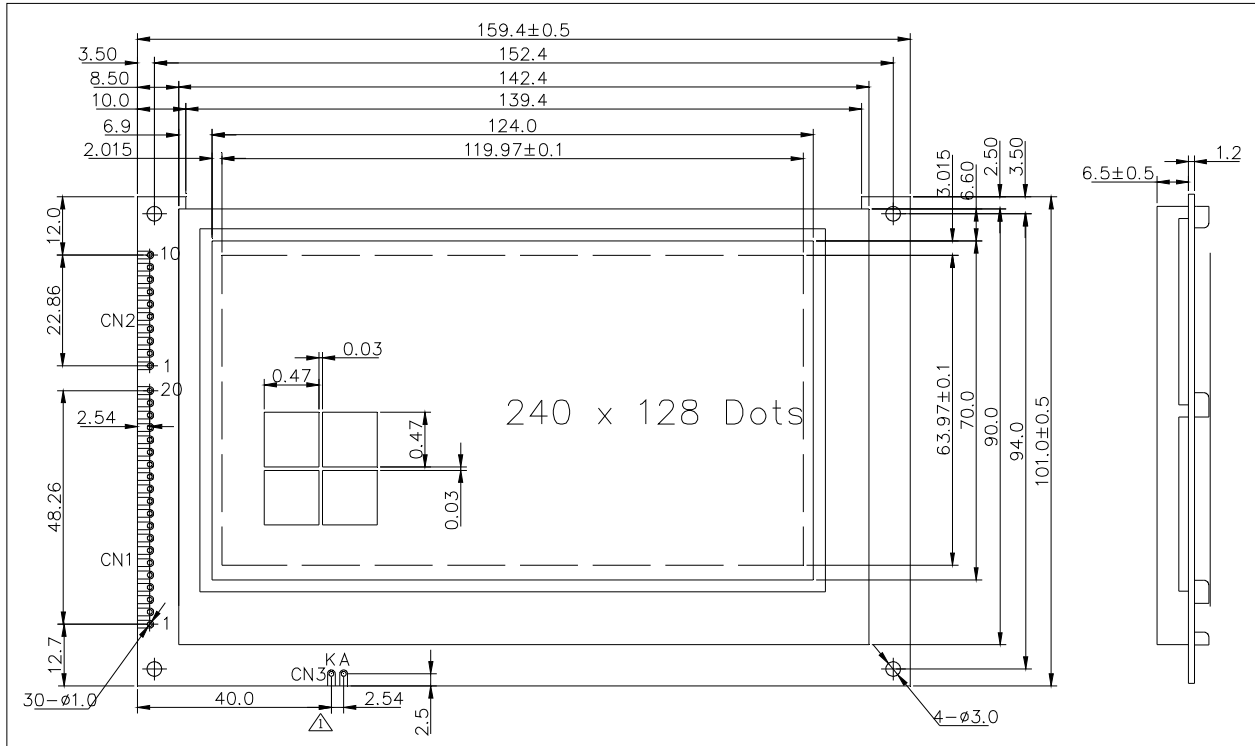
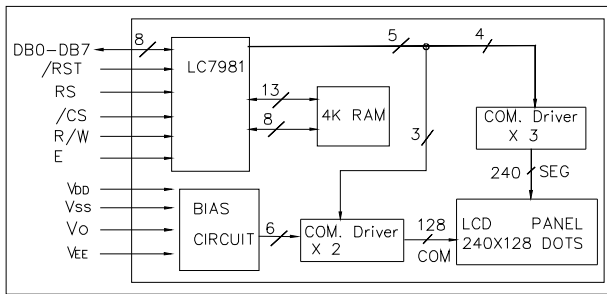


1, OUTLINE DRAWING



2, BLOCK DIAGRAM



3, DISPLAY CHARACTERISTICS

LCD Display mode	FSTN-Transmissive-Negative
Driving method	1/128 duty, 1/12 bias
Backlight	LED White

4, ELECTRICAL CHARACTERISTICS

Item	Symbol	Min.	Typ.	Max.
Logic Power Supply Voltage(V)	VDD		5.0	
Input Voltage(V)	Vih	0.7VDD		VDD
Output Voltage(V)	Vil	0		0.6
LCD Driving Voltage(V)	Vlcd		15.6	

5, TERMINAL FUNCTIONS

Pin	Name	Level	Functions
1	VSS	-	Power supply (GND)
2	VDD	-	Power supply
3	Vo	-	Contrast adjust
4	RS	H/L	Data/Command
5	R/W	H/L	Read/Write
6	E	L	Enable signal
7-14	DB0-DB7	H/L	Data bus
15	/CE	L	Chip enable
16	/RST	L	Reset signal
17	VEE	-	Power supply for LCD driving
18	/DISP OFF	L	Display off
19	NC	-	No connect
20	NC	-	No connect

6, BACKLIGHT CHARACTERISTICS

Item	Symbol	Min.	Typ.	Max.	Condition
Forward Current (mA)	If		180		Vf=5.0V
Luminous (cd/m ²)	IV		450		
Color		White			