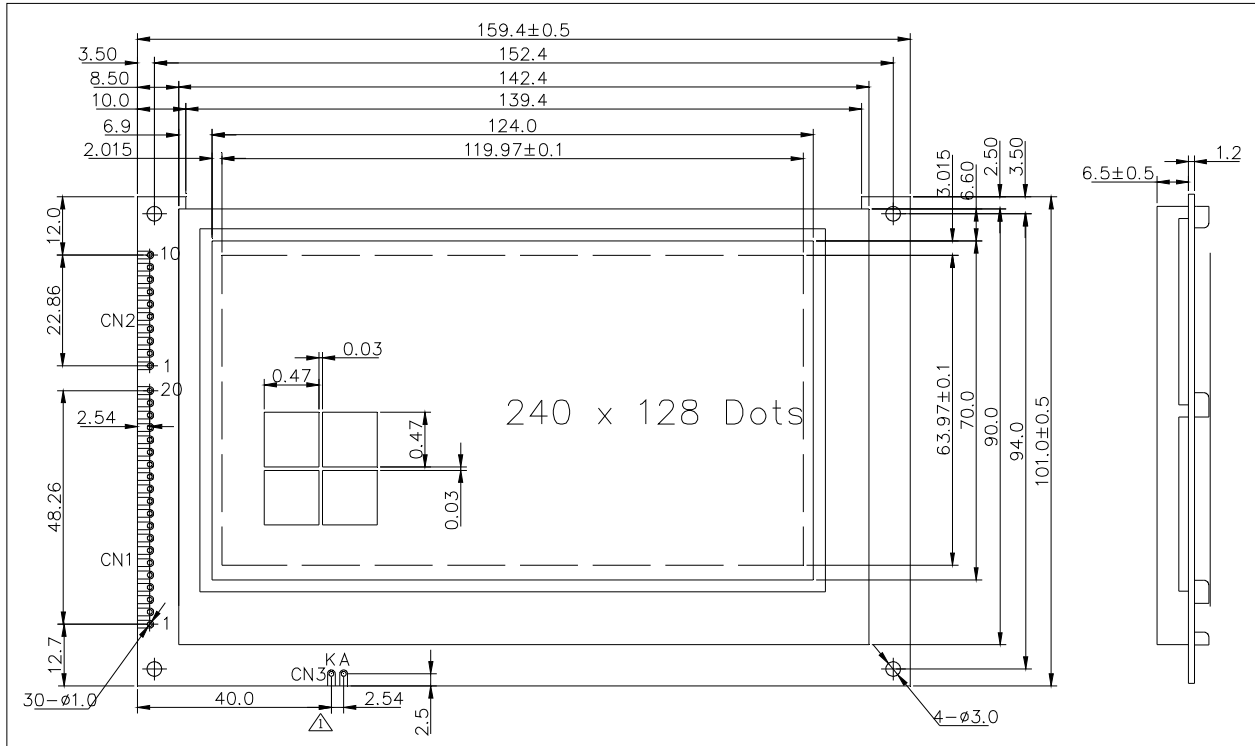
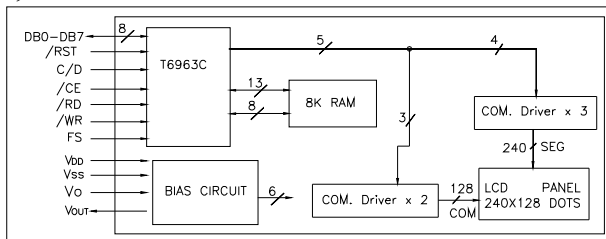


1, OUTLINE DRAWING



2, BLOCK DIAGRAM



3, DISPLAY CHARACTERISTICS

LCD Display mode	FSTN-Transmissive-Negative
Driving method	1/128 duty, 1/12 bias
Backlight	LED White

4, ELECTRICAL CHARACTERISTICS

Item	Symbol	Min.	Typ.	Max.
Logic Power Supply Voltage(V)	V_{DD}		5.0	
Input Voltage(V)	V_{ih}	$0.7V_{DD}$		V_{DD}
Output Voltage(V)	V_{il}	0		0.6
LCD Driving Voltage(V)	V_{lcd}		15.6	

5, TERMINAL FUNCTIONS

Pin	Name	Level	Functions
1	V_{SS}	-	Power supply (GND)
2	V_{DD}	-	Power supply
3	V_O	-	Contrast adjust
4	C/D	H/L	Command/Data
5	/WR	L	Write signal
6	/RD	L	Read signal
7-14	DB0-DB7	H/L	Data bus
15	/CE	L	Chip enable
16	/RST	L	Reset signal
17	V_{OUT}	-	Negative voltage output
18	/DISP OFF	L	Display off
19	FS	H/L	Font select
20	NC	-	No connect

6, BACKLIGHT CHARACTERISTICS

Item	Symbol	Min.	Typ.	Max.	Condition
Forward Current (mA)	I_f		180		$V_f=5.0V$
Luminous (cd/m ²)	I_V		450		
Color			White		