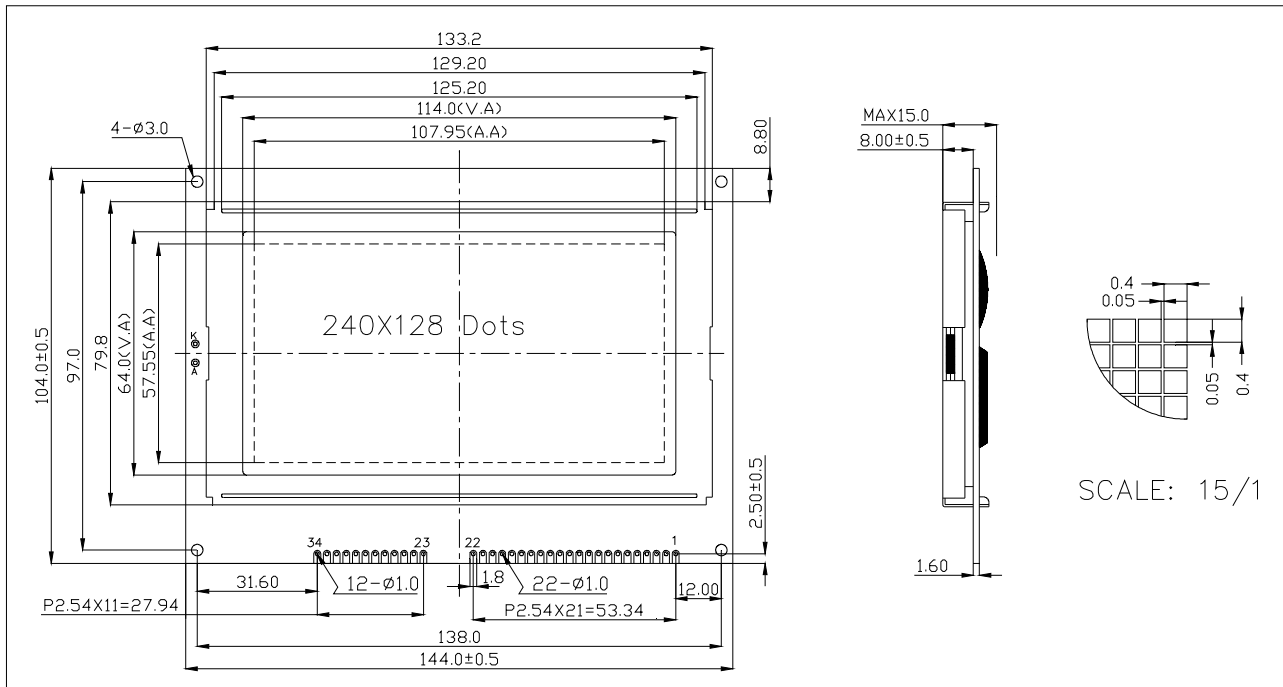
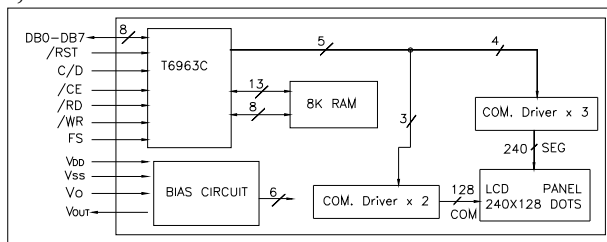


1, OUTLINE DRAWING



2, BLOCK DIAGRAM



3, DISPLAY CHARACTERISTICS

LCD Display mode	STN-Transmissive-Negative-Blue
Driving method	1/128 duty, 1/12 bias
Backlight	LED White

4, ELECTRICAL CHARACTERISTICS

Item	Symbol	Min.	Typ.	Max.
Logic Power Supply Voltage(V)	V _{DD}		5.0	
Input Voltage(V)	V _{Ih}	0.7V _{DD}		V _{DD}
Output Voltage(V)	V _{Il}	0		0.6
LCD Driving Voltage(V)	V _{lcd}		15.5	

5, TERMINAL FUNCTIONS

Pin	Name	Level	Functions
1	FG	-	Frame ground
2	GND	-	Power supply (GND)
3	V _{DD}	-	Power supply
4	V _O	-	Contrast adjust
5	/WR	L	Data write
6	/RD	L	Data read
7	/CE	L	Enable signal
8	C/D	H/L	Command/Data
9	nc	-	No connect
10	/RST	L	Reset signal
11 - 18	DB0 - BD7	H/L	Data bus
19	FS	H/L	Font selection: H:6x8, L:8x8
20	V _{out}	-	Negative voltage output
21	A	-	Power supply for LED backlight (+)
22	K	-	Power supply for LED backlight (-)

6, BACKLIGHT CHARACTERISTICS

Item	Symbol	Min.	Typ.	Max.	Condition
Forward Current (mA)	I _f		120		V _f =5.0V
Luminous (cd/m ²)	I _V	260			
Color			White		