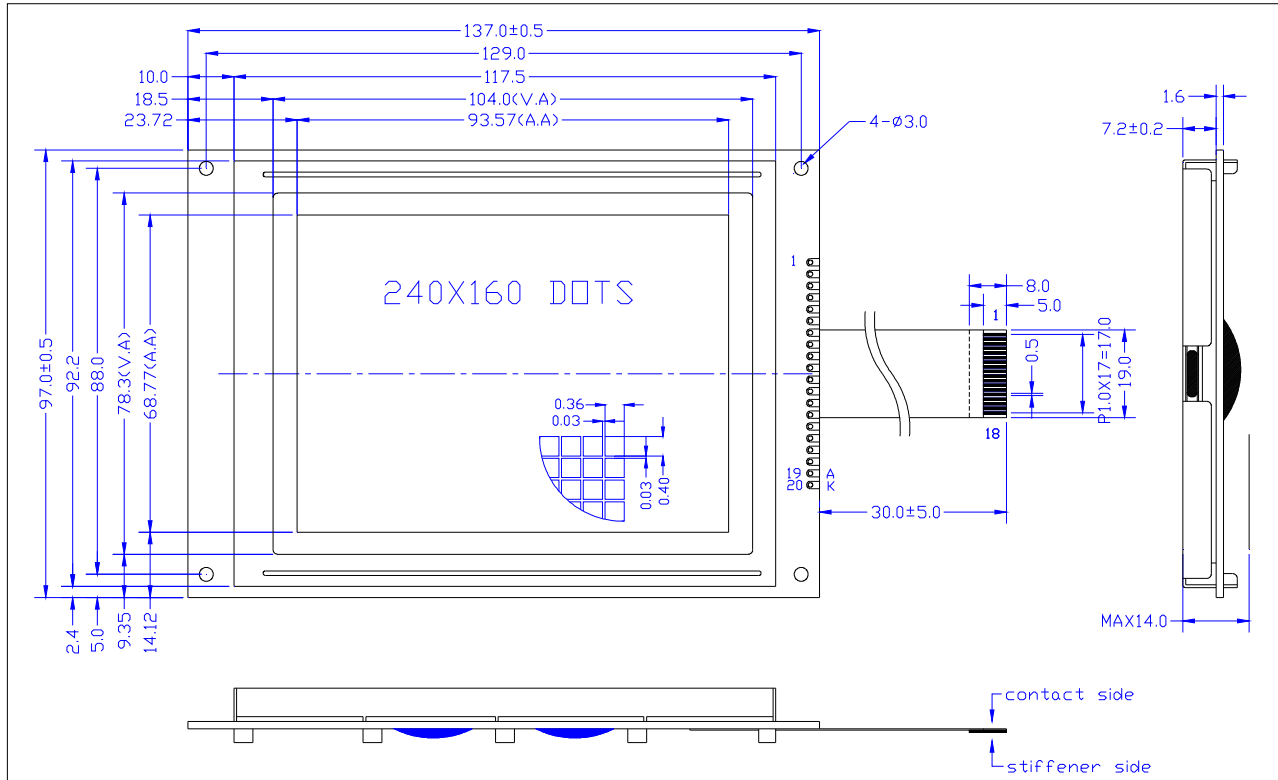
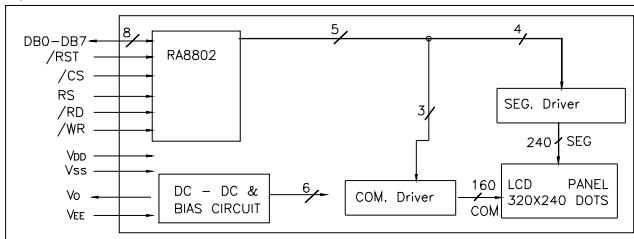


1, OUTLINE DRAWING



2, BLOCK DIAGRAM



3, DISPLAY CHARACTERISTICS

LCD Display mode	STN-Transflective-Positive-Y/G
Driving method	1/160duty, 1/13 bias
Backlight	LED Y/G

4, ELECTRICAL CHARACTERISTICS

Item	Symbol	Min.	Typ.	Max.
Logic Power Supply Voltage(V)	V _{DD}		3.3	
Input Voltage(V)	V _{ih}	0.7V _{DD}		V _{DD}
Output Voltage(V)	V _{il}	0		0.6
LCD Driving Voltage(V)	V _{lcd}		10.0	

5, TERMINAL FUNCTIONS

Pin	Name	Level	Functions
1	GND	-	Power supply(Ground)
2	VDD	-	Power supply
3	VO	-	Contrast Adjust
4	RS	H/L	Register select
5	/WR	L	Data write
6	/RD	L	Data read
7-14	DB0 - BD7	H/L	Data bus
15	CS	L	Choice chip signal
16	NC	H/L	Start line marker
17	/RST	L	Reset signal
18	VOOUT	-	Negative voltage output
19	A	-	Power supply for LED B/L
20	K	-	Power supply for LED B/L

6, BACKLIGHT CHARACTERISTICS

Item	Symbol	Min.	Typ.	Max.	Condition
Forward Current (mA)	I _f		160		V _f =5.0 V
Luminous (cd/m ²)	I _v		50		
Color			Yellow-Green		