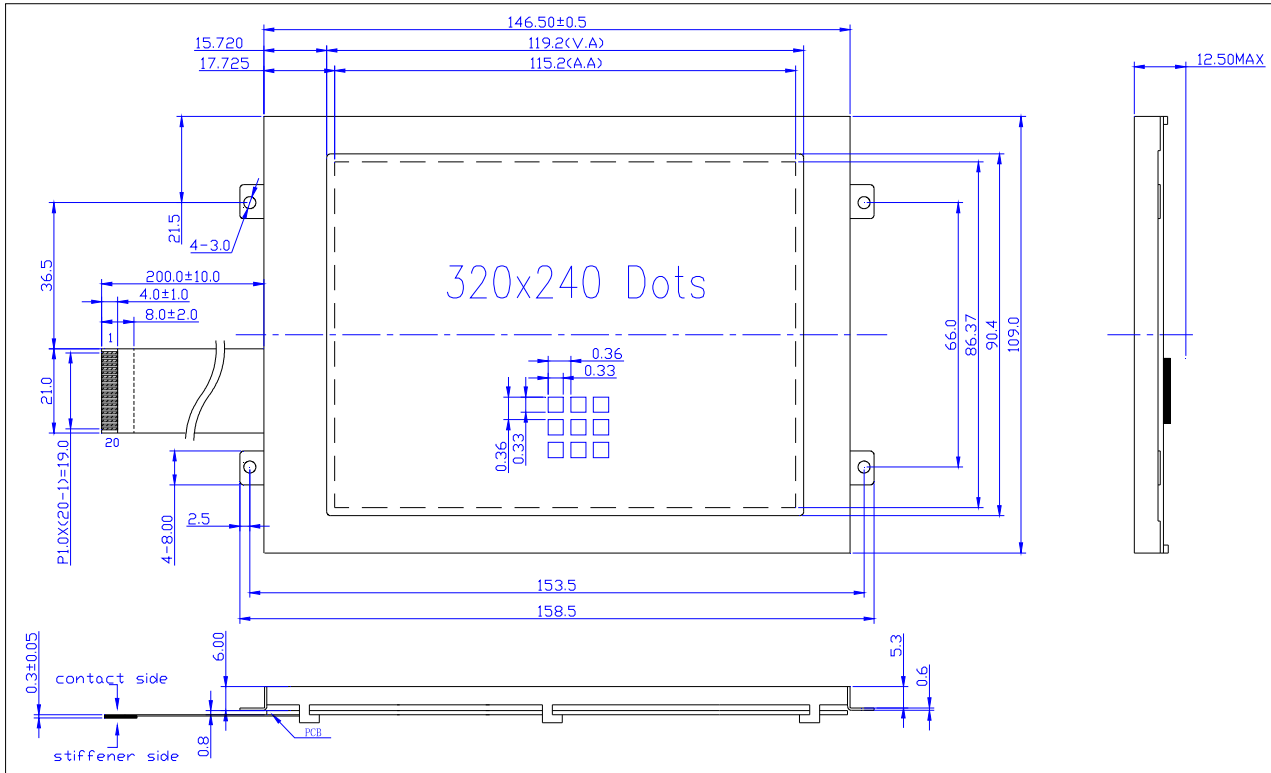
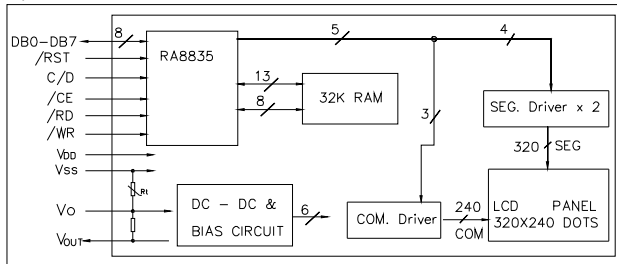


1, OUTLINE DRAWING



2, BLOCK DIAGRAM



3, DISPLAY CHARACTERISTICS

LCD Display mode	FSTN-Reflective-Positive
Driving method	1/240 duty, 1/16 bias
Backlight	None

4, ELECTRICAL CHARACTERISTICS

Item	Symbol	Min.	Typ.	Max.
Logic Power Supply Voltage(V)	V _{DD}		5.0	
Input Voltage(V)	V _{Ih}	0.7V _{DD}		V _{DD}
Output Voltage(V)	V _{Il}	0		0.6
LCD Driving Voltage(V)	V _{lcd}		24.0	

5, TERMINAL FUNCTIONS

Pin	Name	Level	Functions
1	GND (VSS)	-	Power supply (GND)
2	VDD	-	Power supply
3	Vo	-	Contrast adjust
4	A0	H/L	Register select
5	/WR	L	Data write
6	/RD	L	Data read
7-14	DB0 - BD7	H/L	Data bus
15	/CE	L	Enable signal
16	VO2	-	Contrast adjust voltage output
17	/RST	L	Reset signal
18	Vout	-	DC-DC voltage output
19-20	nc	-	No connection

6, POWER SUPPLY CIRCUIT AND CONTRAST ADJUST(Recommend)

